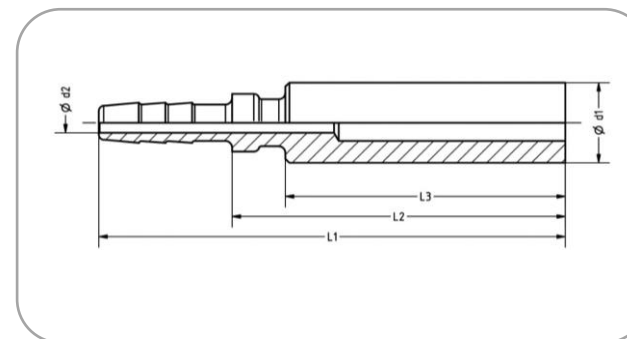


BE-tube socket for TECALAN-hose

for convertible top and boat hydraulics



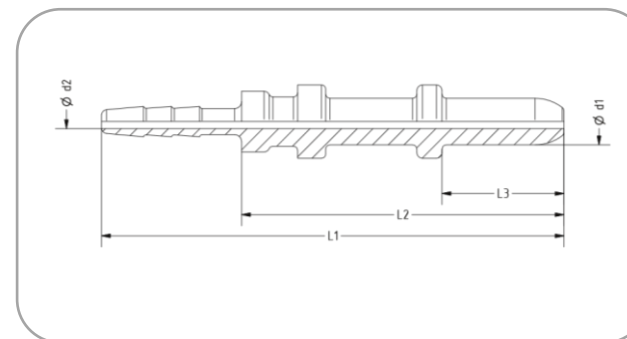
Suitable for TECALAN-hose Type AF 1,8 and 2,5

code: BE-tube socket	DN	d1	d2	L1	L2	L3	part-No.
1,8 BE 4 - L	1,8	4	1	30	20	14	4.12 55 71.1
1,8 BE 4 - LL	1,8	4	1	50	40	34	4.12 55 71.8
1,8 BE 6 - L	1,8	6	1	35	25	20	4.12 55 62.1
2,5 BE 4 - L	2,5	4	1,5	35	25	20	4.12 52 14.1
2,5 BE 6 - L	2,5	6	1,5	35	25	20	4.12 52 15.1

Material: steel, galvanized, passivated (other materials on request). All dimensions in mm.

Plug-in connector short version for TECALAN-hose

for convertible top and boat hydraulics



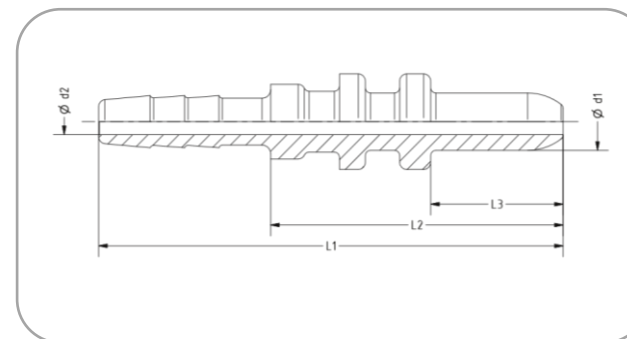
Suitable for TECALAN-hose Type AF 1,8

Code: plug-in connector	DN	d1	d2	L1	L2	L3	Part-No.
1,8 ST 3,3	1,8	3,3	1	33	23	8,7	4.12 52 24.1

Material: steel, galvanized, passivated (other materials on request). All dimensions in mm.

Plug-in connector short version for TECALAN-hose

for convertible top and boat hydraulics

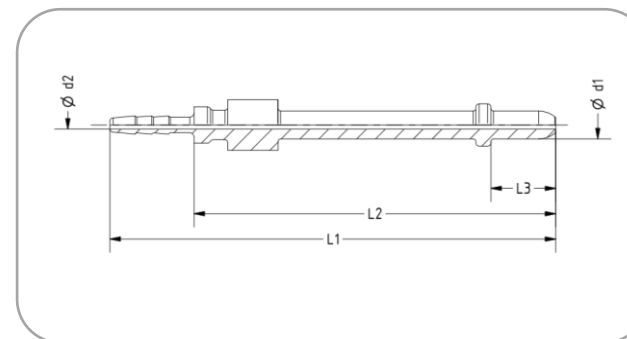


Suitable for TECALAN-hose Type 2,5

Code: plug-in connector	DN	d1	d2	L1	L2	L3	Part No.
2,5 ST 3,3	2,5	3,3	1,5	27	17	7,7	4.12 52 13.1

Material: steel, galvanized, passivated (other materials on request). All dimensions in mm.

Plug-in connector long version for TECALAN-hose for convertible top and boat hydraulics



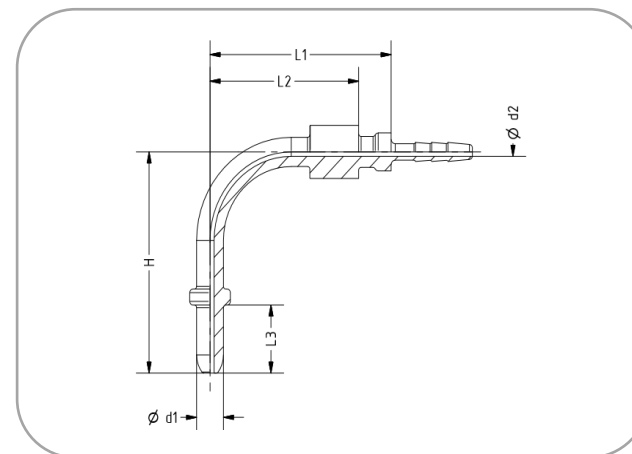
Suitable for TECALAN-hose Type AF 1,8 and 2,5

Code: plug-in connector	DN	d1	d2	L1	L2	L3	Part-No.
1,8 ST 3,3L	1,8	3,3	1	53	39,1	7,5	4.12 30 08.1
2,5 ST 3,3L	2,5	3,3	1,5	53	39,1	7,5	4.12 30 10.1

Material: steel, galvanized, passivated (other materials on request). All dimensions in mm.

Plug-in connector 90°- version for TECALAN-hose

for convertible top and boat hydraulics

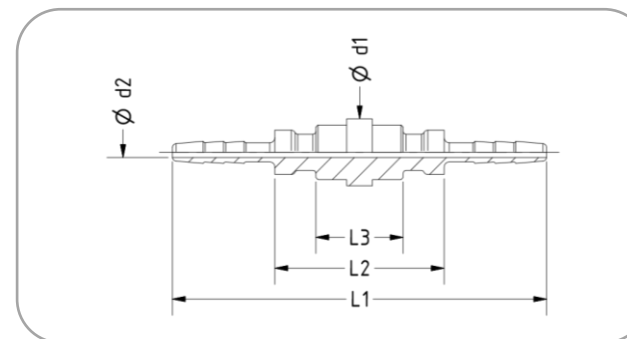


Suitable for TECALAN-hose Type AF 1,8 and 2,5

Code: plug-in connector	DN	d1	d2	L1	L2	H	L3	Part-No.
1,8 ST 3,3L / 90°	1,8	3,3	1	22	17,7	25,5	7,5	5.12 30 09.1
2,5 ST 3,3L / 90°	2,5	3,3	1,5	22	17,7	25,5	7,5	5.12 30 11.1

Material: steel, galvanized, passivated (other materials on request). All dimensions in mm.

Connector for TECALAN-hose for convertible top and boat hydraulics



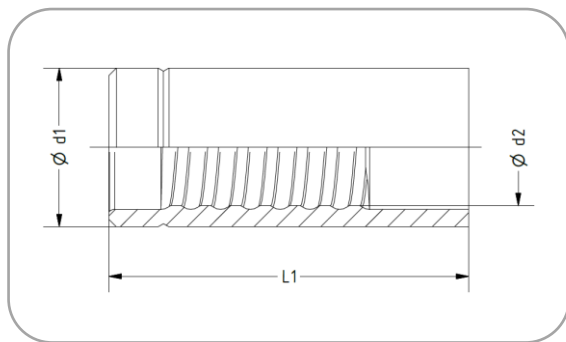
Suitable for TECALAN-hose Type AF 1,8 and 2,5

Code: connector	DN	d1	d2	L1	L2	L3	Part-No.
1,8 ST-Connector	1,8	6,5	1	36,5	16,5	8,5	4.12 30 02.1
2,5 ST-Connector	2,5	6,5	1,5	36,5	16,5	8,5	4.12 30 04.1

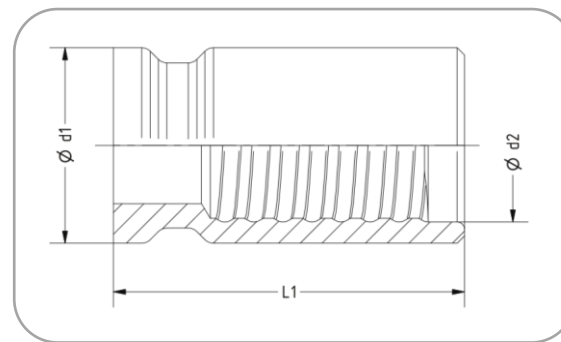
Material: steel, galvanized, passivated (other materials on request). All dimensions in mm.

Ferrule for TECALAN-hose

for convertible top and boat hydraulics



HAF 1,8 Art.-Nr. 4.12 52 12.1



HAF 2,5 Art.-Nr. 4.12 50 12.1

Suitable for TECALAN-hose Type AF 1,8 and 2,5

Code: ferrule	DN	d1	d2	L1	Part-No.
HAF 1,8	1,8	6,4	4,7	14,5	4.12 52 12.1
HAF 2,5	2,5	8,05	6,3	14,5	4.12 50 12.1

Material: steel, galvanized, passivated (other materials on request). All dimensions in mm.