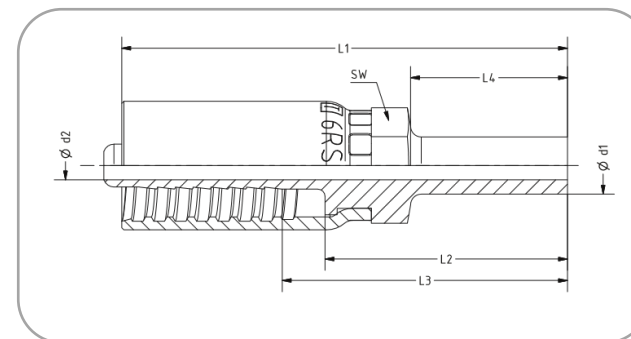


P-fitting with socket (RS) for cutting ring screw connection



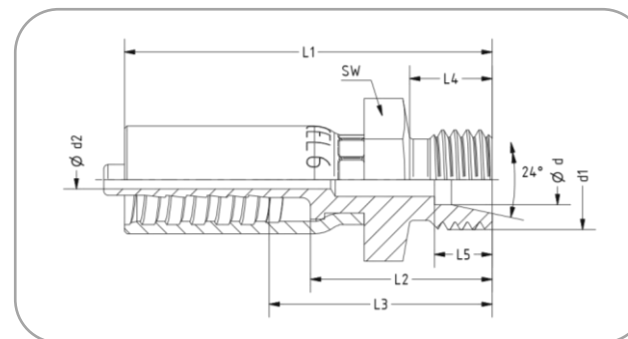
Suitable for TECALAN-hose Type 250, AF...HH, AF...Cu, BF...Cu

code: P-fitting	DN	d1	d2	SW	L1	L2	L3	L4	pusher	part-no.
4 RS 6	4	6	2	10	57	32	38	20	SW 10	5.12 44 10.1
4 RS 8	4	8	2	14	59	34	40	22	SW 14	5.12 44 12.1
6 RS 8	6	8	3,8	14	65	34	40	22	SW 14	5.12 44 14.1
6 RS 10	6	10	3,8	14	67	36	42	24	SW 14	5.12 44 16.1
6 RS 12	6	12	3,8	17	68	37	43	25	SW 17	5.12 44 18.1
8 RS 10	8	10	5,2	17	70	36	44	24	SW 17	5.12 44 20.1
8 RS 12	8	12	5,2	17	71	37	45	25	SW 17	5.12 44 22.1
8 RS 14	8	14	5,2	19	73	39	47	27	SW 19	5.12 44 24.1
10 RS 10	10	10	6,6	19	75	35,5	44	24	SW 19	5.12 44 32.1
10 RS 12	10	12	6,6	19	77	37,5	46	25	SW 19	5.12 44 26.1
10 RS 14	10	14	6,6	19	79	38,5	48	27	SW 19	5.12 44 28.1
10 RS 15	10	15	6,6	19	77	37	45	25	SW 19	5.12 44 30.1
12 RS 15	12	15	9,4	24	83	37,5	47	25	SW 24	5.12 44 34.1
12 RS 16	12	16	9,4	24	87	42,5	52	30	SW 24	5.12 44 36.1
12 RS 18	12	18	9,4	24	83	37,5	47	25	SW 24	5.12 44 38.1
12 RS 20	12	20	9,4	24	89	44	54	32	SW 24	5.12 44 40.1

Material: steel, galvanized, chromated (other materials on request). All dimensions in mm.

P-fitting with cutting ring screw connections 24° cone (CE-L), light series, following DIN 2353 without cutting ring and screw cap

Suitable for TECALAN-hose Type 250, AF...HH, AF...Cu, BF...Cu



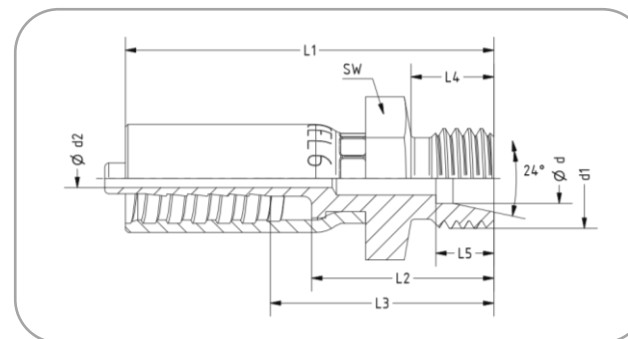
code: P-fitting	DN	d	d1	d2	SW	L1	L2	L3	L4	L5	pusher	part-no.
4 CEL 6	4	6	12 x 1,5	2,0	17	47	22	28	10	7	SW 17	5.12 44 60.1
6 CEL 8	6	8	14 x 1,5	3,8	17	53	22	28	10	7	SW 17	5.12 44 62.1
8 CEL 10	8	10	16 x 1,5	5,2	19	57	23	31	11	7	SW 19	5.12 44 64.1
8 CEL 12	8	12	18 x 1,5	5,2	22	57	23	31	11	7	SW 22	5.12 44 66.1
10 CEL 12	10	12	18 x 1,5	6,6	22	63	23	31	11	7	SW 22	5.12 44 68.1
10 CEL 15	10	15	22 x 1,5	6,6	27	64	24	32	12	7	SW 27	5.12 44 70.1
12 CEL 15	12	15	22 x 1,5	9,4	27	70	24,3	33	12	7	SW 27	5.12 44 72.1

Material: steel, galvanized, chromated (other materials on request). All dimensions in mm.

P-fitting with cutting ring screw connection 24° cone (CE-S) heavy series, following DIN 2353

without cutting ring and screw cap

Suitable for TECALAN-hose Type 250, AF...HH, AF...Cu, BF...Cu



code: P-fitting	DN	d	d1	d2	SW	L1	L2	L3	L4	L5	pusher	part-no.
4 CES 6	4	6	14 x 1,5	2,0	17	49	24	30	12	7	SW 17	5.12 44 78.1
4 CES 8	4	8	16 x 1,5	2,0	19	49	24	30	12	7	SW 19	5.12 44 80.1
6 CES 10	6	10	18 x 1,5	3,8	22	55	24	30	12	7,5	SW 22	5.12 44 82.1
6 CES 12	6	12	20 x 1,5	3,8	24	55	24	30	12	7,5	SW 24	5.12 44 84.1
8 CES 12	8	12	20 x 1,5	5,2	24	58	24	32	12	7,5	SW 24	5.12 44 86.1
10 CES 14	10	14	22 x 1,5	6,6	27	66	27	34	14	8	SW 27	5.12 44 88.1
12 CES 16	12	16	24 x 1,5	9,4	27	71	26	35	14	9	SW 27	5.12 44 90.1

Material: steel, galvanized, chromated (other materials on request). All dimensions in mm.

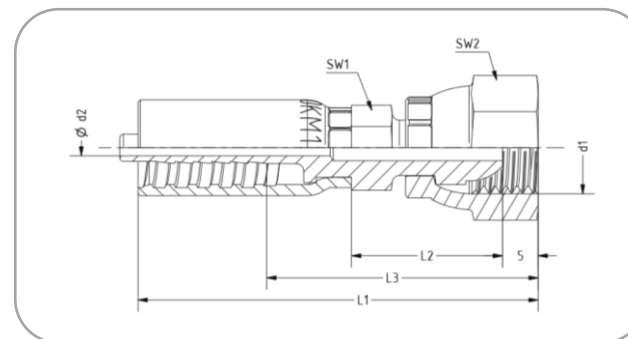
Beethovenstr. 35D · 35410 Hungen / Hessen
 Telefon: +49(0)6402/512150
 Internet: www.tecalan.de

TECALAN

P-fitting with metric female swivel (DKM) – following DIN 3863

suitable for connector 60° e.g. double socket

Suitable for TECALAN-hose Type 250, AF...HH, AF...Cu, BF...Cu



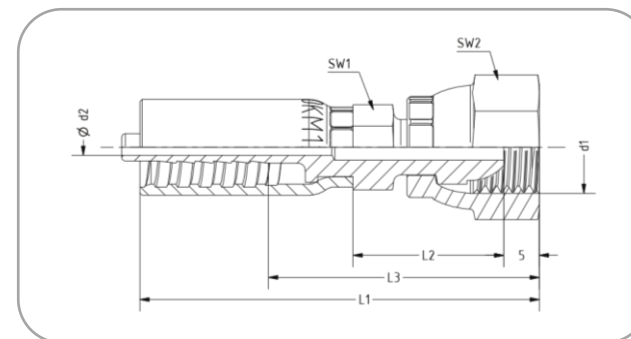
code: P-fitting	DN	d1	d2	SW1	SW2	L1	L2	L3	pusher	part-no.
4 DKM 12	4	M 12 x 1,5	2,0	10	17	55	27	36	SW 17 M	5.12 45 10.1
4 DKM 16	4	M 16 x 1,5	2,0	14	22	55	27	36	SW 22 M	5.12 45 08.1
6 DKM 14	6	M 14 x 1,5	3,8	14	19	61	27	36	SW 19 M	5.12 45 14.1
6 DKM 16	6	M 16 x 1,5	3,8	14	22	61	27	36	SW 22 M	5.12 45 46.1
8 DKM 16	8	M 16 x 1,5	5,2	17	22	64	27	38	SW 22 M	5.12 45 16.1
10 DKM 18	10	M 18 x 1,5	6,6	19	22	69	27	39	SW 22 M	5.12 45 18.1
12 DKM 22	12	M 22 x 1,5	9,4	24	27	75	27	39	SW 27 M	5.12 45 20.1

Material: steel, galvanized, chromated (other materials on request). All dimensions in mm.

Beethovenstr. 35D · 35410 Hungen / Hessen
 Telefon: +49(0)6402/512150
 Internet: www.tecalan.de

TECALAN

Female swivel NPSM (DKN)



Suitable for TECALAN-hose Type 250, AF...HH, AF...Cu, BF...Cu

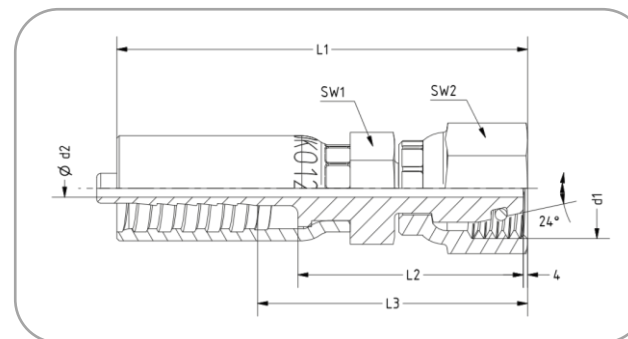
code: P-fitting	DN	d1	d2	SW1	SW2	L1	L2	L3	pusher	part-no.
6 DKN ¼"	6	¼" - 18	3,8	14	19	61	27	36	SW 17 M	5.12 45 42.1
8 DKN ¼"	8	¼" - 18	6,6	17	19	63	27	38	SW 22 M	5.12 45 44.1

Material: steel, galvanized, chromated (other materials on request). All dimensions in mm.

P-fitting with metric female swivel with O-Ring (DKO) light series

fits with cutting ring screw connection following DIN 2353

Suitable for TECALAN-hose Type 250, AF...HH, AF...Cu, BF...Cu

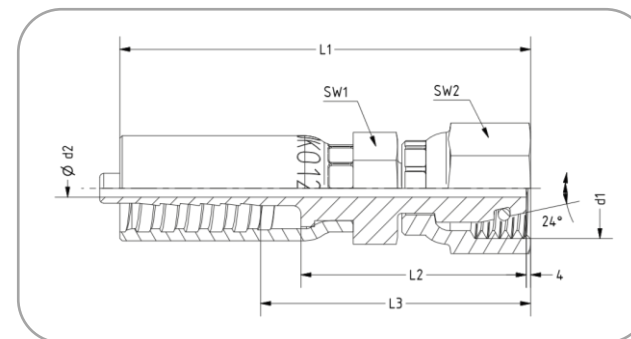


code: P-fitting	DN	d1	d2	SW1	SW2	L1	L2	L3	pusher	part-no.
4 DKO 12 - 6 L	4	12 x 1,5	2,0	12	14	55	28	36	SW 14 M	5.12 45 52.1
6 DKO 14 - 8 L	6	14 x 1,5	3,8	14	17	61	28	36	SW 17 M	5.12 45 54.1
6 DKO 18 - 12 L	6	18 x 1,5	3,8	17	22	61	28	36	SW 22 M	5.12 45 24.1
8 DKO 14 - 8 L	8	14 x 1,5	5,2	17	17	62	28	38	SW 17 M	5.12 45 56.1
8 DKO 16 - 10 L	8	16 x 1,5	5,2	17	19	64	28	38	SW 19 M	5.12 45 48.1
8 DKO 18 - 12 L	8	18 x 1,5	5,2	17	22	64	28	38	SW 22 M	5.12 45 50.1
10 DKO 18 - 12 L	10	18 x 1,5	6,6	22	22	68	28	38	SW 22 M	5.12 45 66.1
10 DKO 22 - 15 L	10	22 x 1,5	6,6	22	27	68	28	38	SW 27 M	5.12 45 86.1
12 DKO 22 - 15 L	12	22 x 1,5	9,4	24	27	73	28	40	SW 27 M	5.12 45 88.1

Material: steel, galvanized, chromated (other materials on request). All dimensions in mm.

P-fitting with metric female swivel with O-Ring (DKO) heavy series fits with cutting ring screw connection following DIN 2353

Suitable for TECALAN-hose Type 250, AF...HH, AF...Cu, BF...Cu



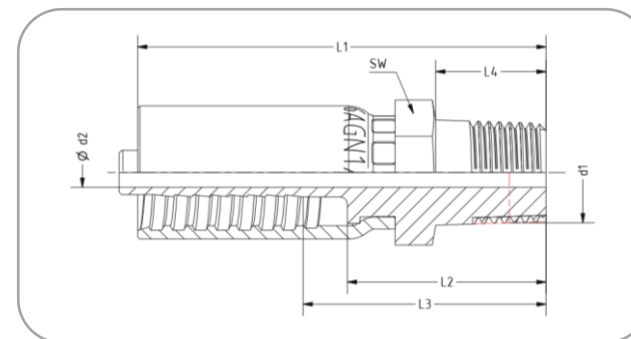
code: P-fitting	DN	d1	d2	SW1	SW2	L1	L2	L3	pusher	part-no.
4 DKO 14 - 6 S	4	14 x 1,5	2,0	14	17	55	28	36	SW 14 M	5.12 45 60.1
4 DKO 16 - 8 S	4	16 x 1,5	2,0	14	22	55	28	36	SW 19 M	5.12 45 26.1
6 DKO 16 - 8 S	6	16 x 1,5	3,8	17	22	61	28	36	SW 19 M	5.12 45 36.1
6 DKO 18 - 10 S	6	18 x 1,5	3,8	17	22	61	28	36	SW 22 M	5.12 45 28.1
8 DKO 18 - 10 S	8	18 x 1,5	5,2	19	22	64	28	38	SW 22 M	5.12 45 38.1
8 DKO 20 - 12 S	8	20 x 1,5	5,2	19	24	64	28	38	SW 24 M	5.12 45 30.1
10 DKO 20 - 12 S	10	20 x 1,5	6,6	19	24	68	28	38	SW 24 M	5.12 45 64.1
10 DKO 22 - 14 S	10	22 x 1,5	6,6	22	27	68	28	38	SW 27 M	5.12 45 32.1
12 DKO 24 - 16 S	12	24 x 1,5	9,4	24	30	73	28	40	SW 30 M	5.12 45 34.1

Material: steel, galvanized, chromated (other materials on request). All dimensions in mm.

Beethovenstr. 35D · 35410 Hungen / Hessen
 Telefon: +49(0)6402/512150
 Internet: www.tecalan.de

TECALAN

P-fitting with NPT male screw socket (AGN)

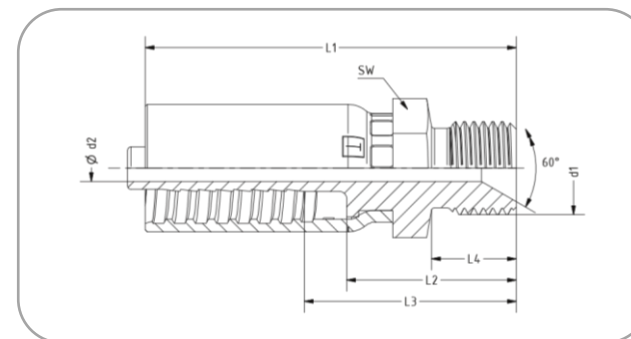


Suitable for TECALAN-hose Type 250, AF...HH, AF...Cu, BF...Cu

code: P-fitting	DN	d1	d2	SW1	L1	L2	L3	L4	pusher	part-no.
6 AGN 1/4"	6	NPT 1/4" - 18	3,8	17	58	27	33	15	SW 17	5.12 46 30.1
10 AGN 3/8"	10	NPT 3/8" - 18	6,6	22	67	27	35	15	SW 22	5.12 46 38.1
12 AGN 1/2"	12	NPT 1/2" - 14	9,4	24	76	31	40	19	SW 24	5.12 46 40.1

Material: steel, galvanized, chromated (other materials on request). All dimensions in mm.

P-fitting with BSP male thread (AGR)

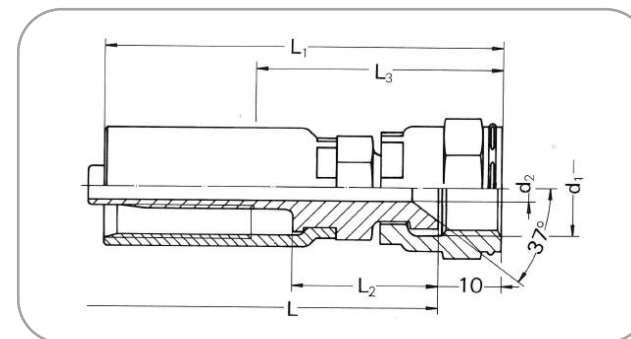


Suitable for TECALAN-hose Type 250, AF...HH, AF...Cu, BF...Cu

code: P-fitting	DN	d1	d2	SW1	L1	L2	L3	L4	pusher	part-no.
4 AGR 1/8"	4	R 1/8"	2,0	14	49	23,5	30	11,5	SW 14	5.12 46 60.1
6 AGR 1/4"	6	R 1/4"	3,8	17	55	24	30	12	SW 17	5.12 46 62.1
8 AGR 3/8"	8	R 3/8"	5,2	22	60	25,5	33	13,5	SW 22	5.12 46 64.1
10 AGR 3/8"	10	R 3/8"	6,6	22	65	25,5	33	13,5	SW 22	5.12 46 66.1
12 AGR 1/2"	12	R 1/2"	9,4	24	73	28	37	16	SW 24	5.12 46 68.1

Material: steel, galvanized, chromated (other materials on request). All dimensions in mm.

P-fitting with JIC 37° female swivel (DKJ)

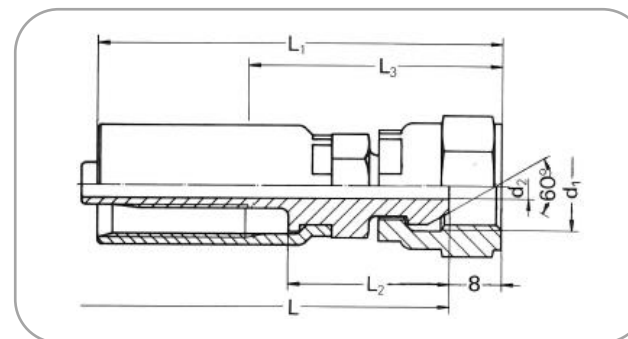


Suitable for TECALAN-hose Type AF, BF, 250, AF...HH, AF...Cu, BF...Cu

code: P-fitting	DN	d1	d2	SW1	SW2	L1	L2	L3	pusher	part no.
4 DKJ 7/16"	4	7/16" - 20	2	14	17	55	22	36	SW 17 M	5.12 45 68.1
6 DKJ 7/16"	6	7/16" - 20	3,8	14	17	61	22	36	SW 17 M	5.12 45 70.1
6 DKJ 1/2"	6	1/2" - 20	3,8	14	17	61	22	36	SW 17 M	5.12 45 72.1
6 DKJ 9/16"	6	9/16" - 18	3,8	14	19	61	22	36	SW 19 M	5.12 45 74.1
8 DKJ 1/2"	8	1/2" - 20	5,2	17	17	64	22	38	SW 17 M	5.12 45 78.1
8 DKJ 9/16"	8	9/16" - 18	5,2	17	19	64	22	38	SW 19 M	5.12 45 80.1
10 DKJ 9/16"	10	9/16" - 18	6,6	19	19	69	22	38	SW 19 M	5.12 45 84.1

Material: steel, galvanized, chromated (other materials on request). All dimensions in mm.

P-fitting with BSP female swivel (DKR)



Suitable for TECALAN-hose Type AF, BF, 250, AF...HH, AF...Cu, BF...Cu

code: P-fitting	DN	d1	d2	SW1	SW2	L1	L2	L3	pusher	part-no.
4 DKR 1/8"	4	R 1/8"	2	10	17	54	24	36	SW 17 M	5.12 46 50.1
4 DKR 1/4"	4	R 1/4"	2	14	19	54	24	36	SW 19 M	5.12 46 48.1
6 DKR 1/4"	6	R 1/4"	3,8	14	19	60	24	36	SW 19 M	5.12 46 52.1
8 DKR 3/8"	8	R 3/8"	5,2	17	22	63	24	38	SW 22 M	5.12 46 54.1
10 DKR 3/8"	10	R 3/8"	6,6	19	22	69	24	38	SW 22 M	5.12 46 56.1
12 DKR 1/2"	12	R 1/2"	9,4	24	27	74	24	39	SW 27 M	5.12 46 58.1

Material: steel, galvanized, chromated (other materials on request). All dimensions in mm.