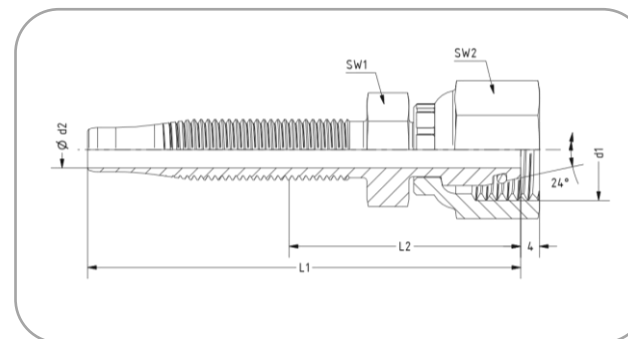


F-insert with female swivel, metric, with O-Ring (DKO)

Suitable for TECALAN-hose Type AF, AF...Cu, BF, BF...Cu

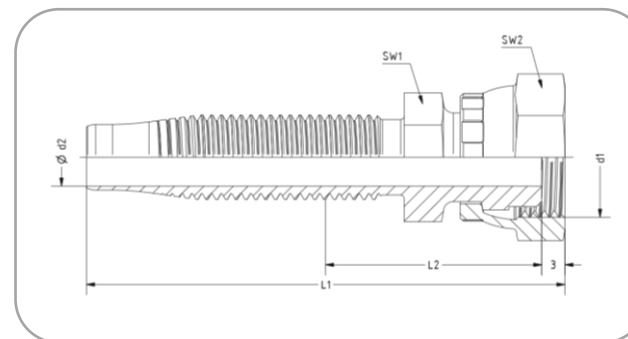


code: F-insert	DN	d1	d2	SW1	SW2	L1	L2	part-no.
DKO 12 X 1,5 - 4 F	4	M 12 x 1,5	4	10	14	46	24	4.12 60 39.1
DKO 14 X 1,5 - 6,3 F	6	M 14 x 1,5	5,2	14	17	62	25	4.12 60 43.1
DKO 16 X 1,5 - 8 F	8	M 16 x 1,5	6,8	17	19	64	25	4.12 60 50.1
DKO 18 X 1,5 - 10 F	10	M 18 x 1,5	8,8	19	22	70	25	4.12 60 58.1
DKO 22 X 1,5 - 13 F	12	M 22 x 1,5	11,7	22	27	77	25	4.12 60 92.1

Material: steel, galvanized, passivated (other materials on request). All dimensions in mm.

F-insert with metric female swivel(D/DR) following DIN 3863 suitable for connector 60°, e.g. double socket (DO) following DIN 7631

Suitable for TECALAN-hose Type AF, AF...Cu, BF, BF...Cu



code: F-insert	DN	d1	d2	SW1	SW2	L1	L2	part-no.
D 12 X 1,5 - 4 F	4	M 12 x 1,5	4	10	17	42,5	25	4.12 60 40.3
D 14 X 1,5 - 6,3 F	6	M 14 x 1,5	5,2	12	17	58,5	27	4.12 66 18.1
D 16 X 1,5 - 6,3 F	6	M 16 x 1,5	5,2	14	19	59,5	27	4.12 66 20.1
D 16 X 1,5 - 8 F	8	M 16 x 1,5	6,8	14	19	61	29	4.12 60 75.1
D 18 X 1,5 - 8 F	8	M 18 x 1,5	6,8	17	22	63	31	4.12 60 77.1
D 18 X 1,5 - 10 F	10	M 18 x 1,5	8,8	17	22	69,5	33	4.12 60 85.1
DR 1/4" - 4 F	4	R 1/4"	4	12	17	42,5	25	4.12 60 46.1
DR 1/4" - 6,3 F	6	R 1/4"	5,2	12	17	58,5	27	4.12 67 40.1
DR 1/4" NPSM - 4 F	4	1/4"-18 NPSM	4	12	17	42,5	25	4.12 60 44.3
DR 1/4" NPSM - 6,3 F	6	1/4"-18 NPSM	5,2	12	17	58,5	27	4.12 67 41.1
DR 3/8" - 10 F	10	R 3/8"	8,8	17	22	69,5	33	4.12 67 50.1

Material: steel, galvanized, passivated (other materials on request). All dimensions in mm.

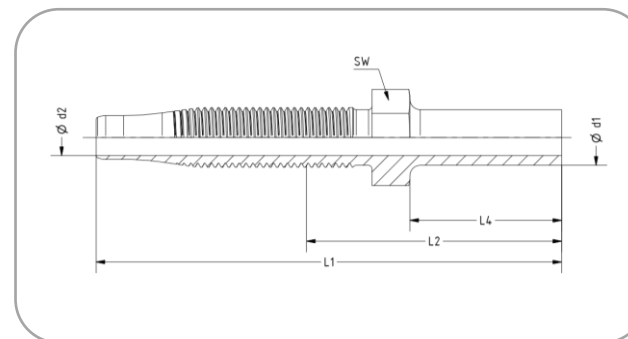
*Consider (L2) for determination of total hose length

Beethovenstr. 35D · 35410 Hungen / Hessen
 Telefon: +49(0)6402/512150
 Internet: www.tecalan.de

TECALAN

F-inset with socket (BE)

for cutting ring screw connections

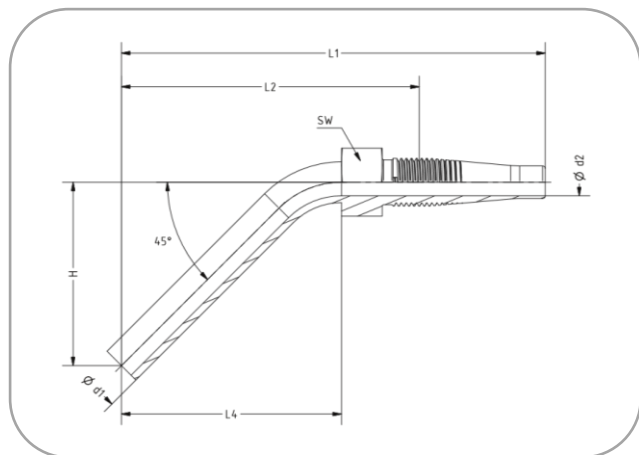


Suitable for TECALAN-hose Type AF, AF...Cu, BF, BF...Cu

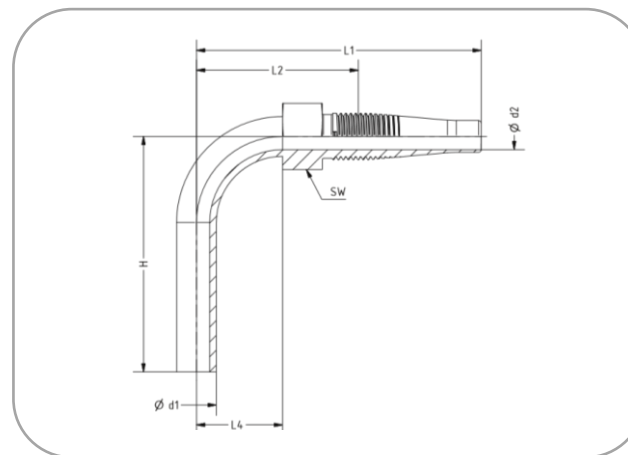
code: F-insert	DN	d1	d2	SW	L1	L2	L4	part-no.
BE 6 L - 4 F	4	6	4	10	49,5	33	20	4.12 55 64.2
BE 8 L - 6,3 F	6	8	5,2	12	67,5	37	22	4.12 63 24.1
BE 10 L - 8 F	8	10	6,8	12	72	43	24	4.12 63 26.1
BE 12 L - 10 F	10	12	8,8	14	79,5	44	25	4.12 63 28.1
BE 15 L - 10 F	10	15	8,8	17	79,5	44	25	4.12 63 31.1
BE 15 L - 13 F	12	15	11,7	17	86	48	25	4.12 63 32.1
BE 18 L - 13 F	12	18	11,7	19	86	48	25	4.12 63 94.1
BE 22 L - 19 F	20	22	17	27	96	54	25	4.12 63 61.1
BE 8 S - 4 F	4	8	4	10	51,5	35	22	4.12 63 37.1
BE 10 S - 6,3 F	6	10	5,2	12	69,5	39	24	4.12 63 39.1
BE 12 S - 6,3 F	6	12	5,2	14	69,5	39	24	4.12 63 41.1
BE 12 S - 8 F	8	12	6,8	14	72	43	24	4.12 63 42.1
BE 25 S - 19 F	20	25	17	27	105	63	34	4.12 63 64.1

Material: steel, galvanized, passivated. All dimensions in mm.

F-insert with socket (BE) 45°- and 90° version for cutting ring screw connections



F-Dorn BE 6 L-4 / 45° Art.-Nr. 5.12 55 65.1



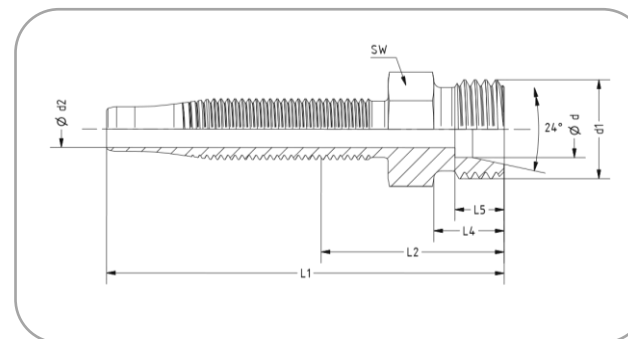
F-Dorn BE 6 L-4 / 90° Art.-Nr. 5.12 55 66.1

Suitable for TECALAN-hose Type AF, AF...Cu, BF, BF...Cu

code: F-insert	DN	d1	d2	SW	L1	part-no.
BE 6 L - 4 / 45°	4	6,0	4,0	10	45,0	5.12 55 65.1
BE 6 L - 4 / 90°	4	6,0	4,0	10	64,0	5.12 55 66.1

Material: steel, galvanized, passivated (other materials on request). All dimensions in mm.

F-insert with cutting ring screw connection (CE), following DIN 2353 without cutting ring and screw cap



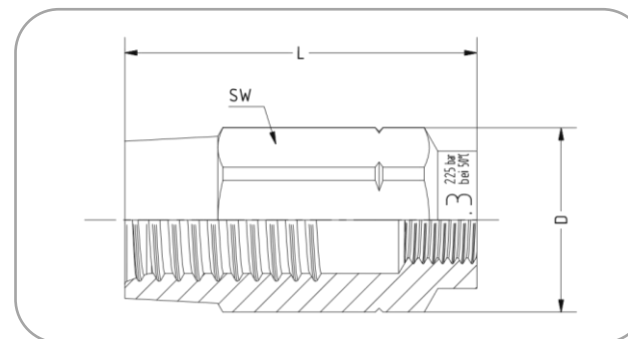
Suitable for TECALAN-hose Type AF, AF...Cu, BF, BF...Cu

code: F-insert	DN	d	d1	d2	SW	L1	L2	L4	part-no.
CE 6 L - 4 F	4	6	M 12 x 1,5	4	12	39,5	22	10	4.12 55 74.2
CE 8 L - 6,3 F	6	8	M 14 x 1,5	5,2	14	56,5	25	10	4.12 64 24.1
CE 10 L - 8 F	8	10	M 16 x 1,5	6,8	17	59	27	11	4.12 64 26.1
CE 12 L - 8 F	8	12	M 18 x 1,5	6,8	19	59	27	11	4.12 64 27.1
CE 12 L - 10 F	10	12	M 18 x 1,5	8,8	19	65,5	30	11	4.12 64 28.1
CE 22 L - 19 F	20	22	M 30 x 2	17	30	85	39	14	4.12 64 61.1
CE 6 S - 4 F	4	6	M 14 x 1,5	4	14	42	25	12	4.12 65 74.2
CE 10 S - 6,3 F	6	10	M 18 x 1,5	5,2	19	59,5	28	12	4.12 64 39.1
CE 12 S - 8 F	8	12	M 20 x 1,5	6,8	22	60	28	12	4.12 64 42.1

Material: steel, galvanized, passivated. All dimensions in mm.

Screw ferrule (HAF/HBF) for F-inserts

Suitable for TECALAN-hose Type AF, AF...Cu, BF, BF...Cu



code: screw ferrule	D	L	SW	max. WP at 50°C [bar]	part-no.
HAF 4	13,3	25	12	325	4.12 50 04.3
HAF 6,3	18,8	36	17	225	4.12 61 74.1
HAF 8	20,9	38	19	200	4.12 61 75.1
HAF 10	24	44,5	22	170	4.12 61 76.1
HAF 13	30,2	51	27	140	4.12 61 77.1
HBF 4	13,3	25	12	425	4.12 50 14.3
HBF 6,3	18,8	36	17	400	4.12 61 84.1
HBF 8	20,9	38	19	330	4.12 61 85.1
HBF 10	24	44,5	22	300	4.12 61 86.1
HBF 13	30,2	51	27	245	4.12 61 87.1
HBF 19	39,5	57	30	190	4.12 61 89.1

Material: steel, galvanized, passivated. All dimensions in mm.

Beethovenstr. 35D · 35410 Hungen / Hessen
Telefon: +49(0)6402/512150
Internet: www.tecalan.de

TECALAN