



Product catalogue

Components for
compressed air and
media transport

Beethovenstr. 35D
35410 Hungen
phone: +49 6402 512150
mail: info@tecalan.de
web: www.tecalan.de

TECALAN

Table of Contents

| | |
|---|----|
| Plastic tubes flexible version | 3 |
| Plastic tubes semi-rigid version..... | 6 |
| Push-in coupling with socket >TR-insert-BE<..... | 8 |
| Push-in coupling with cutting ring screw connection following DIN 2353 without cutting ring and screw cap >TR-insert-CE<..... | 9 |
| Push-in coupling with ball-type nipple following DIN 3863 >TR-fitting-D<..... | 10 |
| Push-in coupling with male thread >TR-insert-AG<..... | 11 |
| Push-in coupling with banjo following DIN 7642 >TR-banjo<..... | 12 |
| Banjo Bolt >HO< following DIN 7643 | 13 |
| Sleeve >E<..... | 14 |

Plastic tubes flexible version

| code | outer Ø x wall thickness [mm] | working pressure [bar] | min. bending radius [mm] | weight [kg/100 m] | Packing unit [m] | part-no. |
|-----------------------|-------------------------------|------------------------|--------------------------|-------------------|------------------|--------------|
| TR 3,15 / 2 w nf | 3,15 x 0,575 | 30 | 15 | 0,50 | 500 | 2.47 72 10.1 |
| TR 3,15 / 2 w blau * | 3,15 x 0,575 | 30 | 15 | 0,50 | 500 | 2.68 03 00.5 |
| TR 3,15 / 2 w grün * | 3,15 x 0,575 | 30 | 15 | 0,50 | 500 | 2.68 03 00.6 |
| TR 4 / 2 w nf | 4 x 1 | 45 | 20 | 1,10 | 500 | 2.47 73 11.1 |
| TR 4 / 2 w sw LT * | 4 x 1 | 45 | 20 | 1,10 | 500 | 2.47 23 11.8 |
| TR 4 / 2,5 w nf | 4 x 0,75 | 31 | 20 | 0,85 | 500 | 2.47 73 21.1 |
| TR 4 / 2,7 w nf * | 4 x 0,65 | 26 | 20 | 0,75 | 500 | 2.46 23 41.1 |
| TR 5 / 3 w nf | 5 x 1 | 34 | 25 | 1,35 | 200 | 2.46 24 11.1 |
| TR 6 / 3 w nf | 6 x 1,5 | 45 | 30 | 2,25 | 200 | 2.47 75 11.1 |
| TR 6 / 3 w sw LT * | 6 x 1,5 | 45 | 30 | 2,25 | 200 | 2.47 75 11.8 |
| TR 6 / 4 w nf | 6 x 1 | 27 | 30 | 1,70 | 200 | 2.47 75 31.1 |
| TR 6 / 4 w sw | 6 x 1 | 27 | 30 | 1,70 | 200 | 2.47 75 31.8 |
| TR 6 / 4 w gelb * | 6 x 1 | 27 | 30 | 1,70 | 200 | 2.47 25 31.7 |
| TR 6 / 4 w grün * | 6 x 1 | 27 | 30 | 1,70 | 200 | 2.47 25 31.6 |
| TR 6 / 4 w blau | 6 x 1 | 27 | 30 | 1,70 | 200 | 2.47 75 31.5 |
| TR 6 / 4 w rot * | 6 x 1 | 27 | 30 | 1,70 | 200 | 2.47 25 31.3 |
| TR 8 / 4 w nf | 8 x 2 | 45 | 40 | 4,00 | 200 | 2.47 77 11.1 |
| TR 8 / 4 w sw LT * | 8 x 2 | 45 | 40 | 4,00 | 200 | 2.47 27 11.8 |
| TR 8 / 5 w nf | 8 x 1,5 | 31 | 40 | 3,20 | 200 | 2.47 77 31.1 |
| TR 8 / 5 w sw LT | 8 x 1,5 | 31 | 40 | 3,20 | 200 | 2.47 77 31.8 |
| TR 8 / 6 w nf | 8 x 1 | 19 | 40 | 2,40 | 200 | 2.47 77 51.1 |
| TR 8 / 6 w sw LT | 8 x 1 | 19 | 40 | 2,40 | 200 | 2.47 77 51.8 |
| TR 9 / 6 w sw LT * | 9 x 1,5 | 27 | 45 | 3,80 | 200 | 2.47 78 11.8 |
| TR 10 / 6 w nf | 10 x 2 | 34 | 50 | 5,50 | 200 | 2.47 79 11.1 |
| TR 10 / 6 w sw LT | 10 x 2 | 34 | 50 | 5,50 | 200 | 2.47 79 11.8 |
| TR 10 / 7,5 w sw LT * | 10 x 1,25 | 19 | 60 | 3,60 | 200 | 2.47 79 21.8 |
| TR 10 / 8 w nf | 10 x 1 | 15 | 60 | 3,00 | 200 | 2.47 79 31.1 |

Beethovenstr. 35D · 35410 Hungen / Hessen
 Telefon: +49(0)6402/512150
 Internet: www.tecalan.de

TECALAN

| code | outer Ø x wall thickness [mm] | working pressure [bar] | min. bending radius [mm] | weight [kg/100 m] | Packing unit [m] | part-no. |
|---------------------|-------------------------------|------------------------|--------------------------|-------------------|------------------|--------------|
| TR 10 / 8 w sw LT | 10 x 1 | 15 | 60 | 3,00 | 200 | 2.47 79 31.8 |
| TR 12 / 8 w nf | 12 x 2 | 27 | 60 | 6,80 | 200 | 2.47 81 11.1 |
| TR 12 / 8 w sw LT | 12 x 2 | 27 | 60 | 6,80 | 200 | 2.47 81 11.8 |
| TR 12 / 9 w nf * | 12 x 1,5 | 19 | 60 | 5,30 | 200 | 2.47 81 21.1 |
| TR 12 / 9 w sw LT | 12 x 1,5 | 19 | 60 | 5,30 | 200 | 2.47 81 21.8 |
| TR 12 / 10 w nf | 12 x 1 | 12 | 85 | 3,80 | 200 | 2.47 81 31.1 |
| TR 12,5 / 10 w nf * | 12,5 x 1,25 | 15 | 75 | 4,70 | 200 | 2.46 31 51.1 |
| TR 15 / 10 w nf * | 15 x 2,5 | 26 | 75 | 11,00 | 100 | 2.47 83 11.1 |
| TR 15 / 12 w nf | 15 x 1,5 | 15 | 90 | 7,00 | 100 | 2.47 83 31.1 |
| TR 15 / 12 w sw LT | 15 x 1,5 | 15 | 90 | 7,00 | 100 | 2.47 83 31.8 |
| TR 16 / 12 w sw LT | 16 x 2 | 19 | 95 | 9,30 | 100 | 2.47 34 11.8 |
| TR 16 / 12,5 w nf * | 16 x 1,75 | 16 | 95 | 8,50 | 100 | 2.46 34 21.1 |
| TR 18 / 14 w nf | 18 x 2 | 16 | 100 | 11,00 | 100 | 2.47 85 11.1 |
| TR 18 / 14 w sw LT | 18 x 2 | 16 | 100 | 11,00 | 100 | 2.47 85 11.8 |
| TR 22 / 18 w nf * | 22 x 2 | 13 | 150 | 13,00 | 100 | 2.46 37 11.1 |
| TR 22 / 18 w sw LT | 22 x 2 | 13 | 150 | 13,00 | 100 | 2.47 37 11.8 |

Dimensions marked with * are produced on demand and can be supplied on request.

- All soft tubes are manufactured according to DIN 73378 as far as they are included within the series of standards.
Non-standard dimensions are produced according to factory norm based on DIN 73378.
- All coloured tubes are light and temperature stabilized.
- Other dimensions are partly available from stock or can be manufactured on request.
- DIN 74324 standardized dimensions can be supplied on request.
- Please note the temperature-dependent utilization factor of the tubes!

Utilization factor of the permissible working pressures

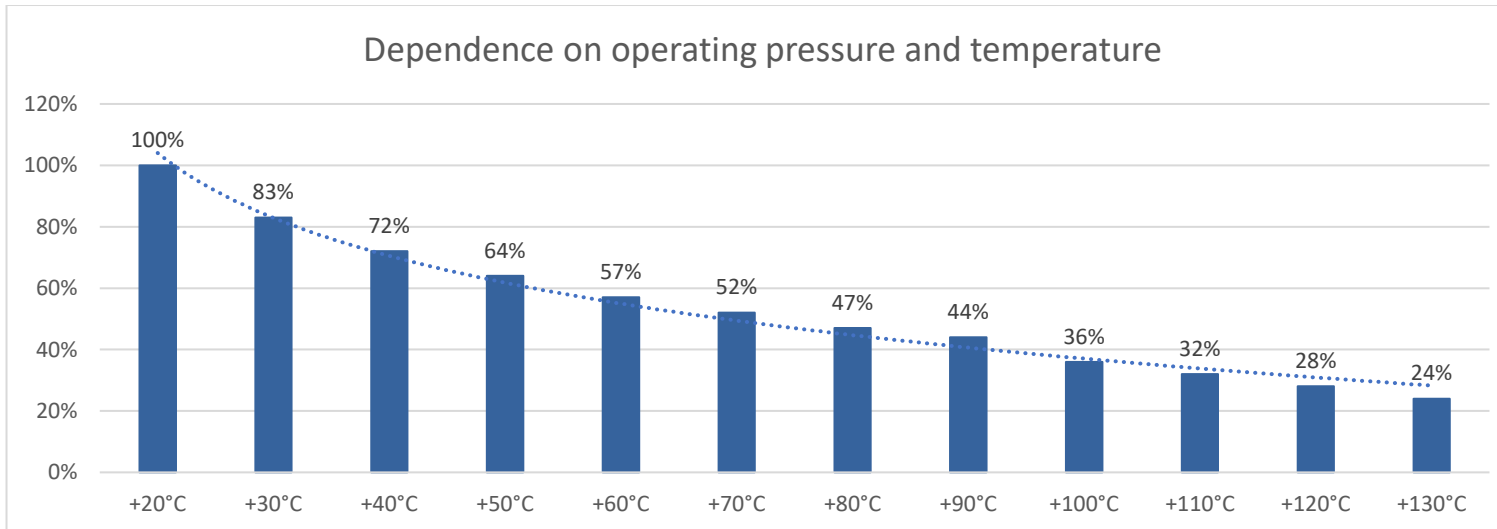
| Temperature range | From -60°C to | | | | | | | | | | | |
|-------------------------------------|---------------|-------|-------|-------|-------|-------|-------|-------|--------|--------|--------|--------|
| | +20°C | +30°C | +40°C | +50°C | +60°C | +70°C | +80°C | +90°C | +100°C | +110°C | +120°C | +130°C |
| For TECALAN – tubes in soft version | 100% | 83% | 72% | 64% | 57% | 52% | 47% | 44% | 36% | 32% | 28% | 24% |

Calculation example:

For TR 6/4 w sw at +50°C

Working pressure +20°C = 27 bar / utilization rate at +50°C = 64%

$27 \text{ bar} \times 64 / 100 = 17,28 \text{ bar}$



Plastic tubes semi-rigid version

| code | outer Ø x wall thickness [mm] | working pressure [bar] | min. bending radius [mm] | weight [kg/100 m] | packing unit [m] | part-no. |
|----------------------|-------------------------------|------------------------|--------------------------|-------------------|------------------|--------------|
| TR 4 / 2 h nf | 4 x 1 | 75 | 20 | 1,00 | 500 | 2.46 02 11.1 |
| TR 4 / 2,5 h nf | 4 x 0,75 | 52 | 20 | 0,85 | 500 | 2.46 02 21.1 |
| TR 6 / 2 h nf | 6 x 2 | 113 | 30 | 2,70 | 200 | 2.46 04 11.1 |
| TR 6 / 3 h nf * | 6 x 1,5 | 75 | 30 | 2,25 | 200 | 2.46 04 21.1 |
| TR 6 / 4 h nf | 6 x 1 | 45 | 30 | 1,70 | 200 | 2.46 04 31.1 |
| TR 6 / 4 h sw LT * | 6 x 1 | 45 | 30 | 1,70 | 200 | 2.47 04 31.8 |
| TR 8 / 5 h nf * | 8 x 1,5 | 52 | 40 | 3,20 | 200 | 2.46 05 21.1 |
| TR 8 / 6 h nf * | 8 x 1 | 32 | 40 | 2,40 | 200 | 2.46 05 31.1 |
| TR 8 / 6 h sw LT * | 8 x 1 | 32 | 40 | 2,40 | 200 | 2.46 05 31.8 |
| TR 10 / 6 h nf * | 10 x 2 | 57 | 50 | 5,50 | 200 | 2.46 06 21.1 |
| TR 10 / 8 h nf * | 10 x 1 | 25 | 60 | 3,00 | 200 | 2.46 06 31.1 |
| TR 12 / 8 h nf | 12 x 2 | 45 | 60 | 6,80 | 200 | 2.46 07 11.1 |
| TR 12 / 10 h nf * | 12 x 1 | 20 | 85 | 3,80 | 200 | 2.46 07 31.1 |
| TR 15 / 12 h sw LT * | 15 x 1,5 | 25 | 90 | 7,00 | 100 | 2.47 09 11.8 |

Dimensions marked with * are produced on demand and can be supplied on request.

- All hard tubes are manufactured according to DIN 73378 as far as they are included within the series of standards.

Non-standard dimensions are produced according to factory norm based on DIN 73378.

- Other dimensions are partly available from stock or can be manufactured on request.
- Please note the temperature-dependent utilization factor of the tubes!

Utilization factor of the permissible working pressures

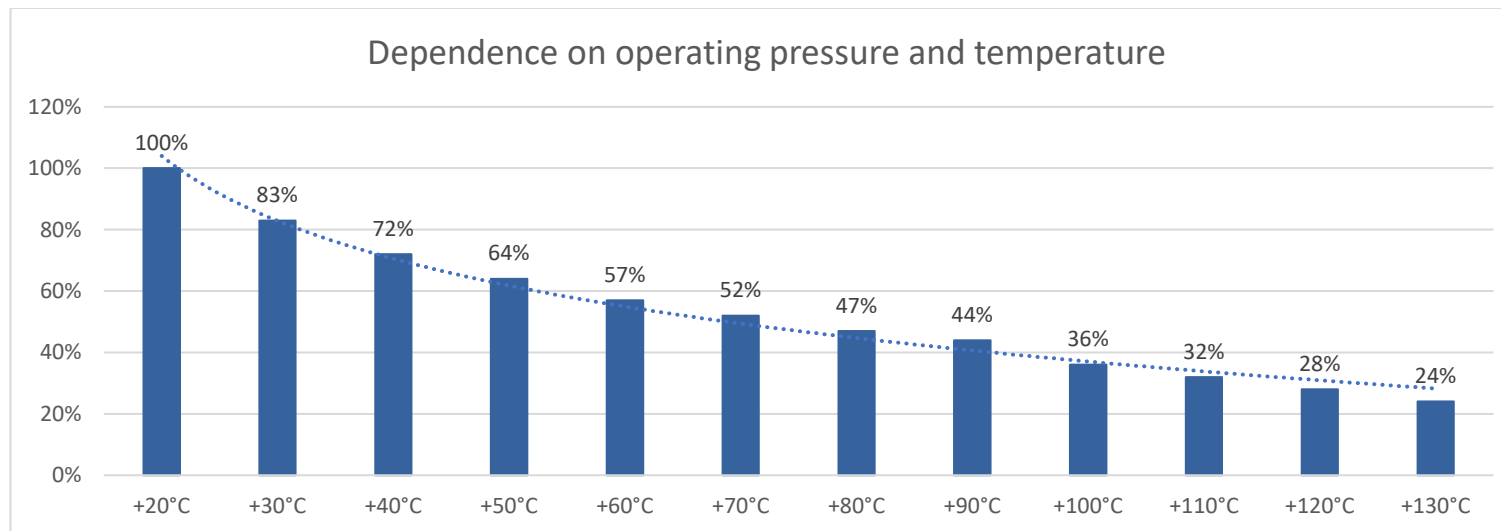
| Temperature range | From -60°C to | | | | | | | | | | | |
|-------------------------------------|---------------|-------|-------|-------|-------|-------|-------|-------|--------|--------|--------|--------|
| | +20°C | +30°C | +40°C | +50°C | +60°C | +70°C | +80°C | +90°C | +100°C | +110°C | +120°C | +130°C |
| For TECALAN – tubes in hard version | 100% | 83% | 72% | 64% | 57% | 52% | 47% | 44% | 36% | 32% | 28% | 24% |

Calculation example:

For TR 6/4 h sw LT at +50°C

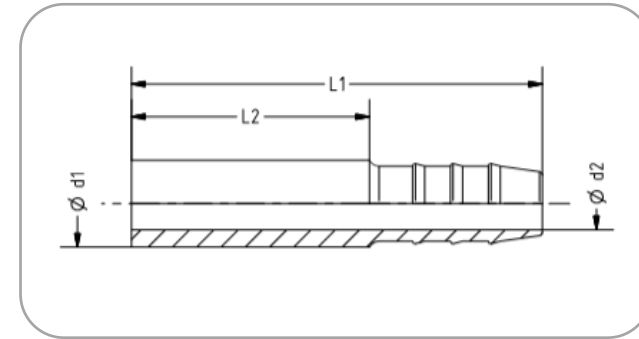
Working pressure +20°C = 45 bar / utilization rate at +50°C = 64%

$45 \text{ bar} \times 64 / 100 = 28,8 \text{ bar}$



Push-in coupling with socket

>TR-insert-BE<



→ Attention! Do not use these couplings with rubber hoses!

| code: TR-insert | DN | d1 | d2 | L1 | L2 | for inside Ø mm | suitable for TECALAN-hoses-Type | part-no. |
|--------------------|----|----|------|----|------|-----------------|------------------------------------|--------------|
| BE 4 LL - 2,5 | 2 | 4 | 1,8 | 30 | 17,5 | 2,5 | AF 2,5 | 4.12 74 12.7 |
| BE 4 LL - 4 | 4 | 4 | 2 | 48 | 17 | 4 | GE 4, AF 4 | 4.12 74 14.7 |
| BE 6 L - 4 | 4 | 6 | 3 | 36 | 20 | 4 | GE 4, AF 4 | 4.12 74 30.7 |
| BE 6 L - 5 | 5 | 6 | 3,8 | 37 | 20 | 5 | - | 4.12 74 40.7 |
| BE 8 L - 5 * | 5 | 8 | 3,8 | 38 | 22 | 5 | - | 4.12 74 45.7 |
| BE 8 L - 6 | 6 | 8 | 4,8 | 38 | 22 | 6 | AF GE 6,3 | 4.12 74 50.7 |
| BE 8 L - 8 | 8 | 8 | 6,3 | 45 | 23,5 | 8 | AF GE 8 | 4.12 74 60.7 |
| BE 10 S - 6 | 6 | 10 | 4,8 | 41 | 25 | 6 | AF GE 6,3 | 4.12 74 65.7 |
| BE 10 L - 8 | 8 | 10 | 6,3 | 47 | 25 | 8 | AF GE 8 | 4.12 74 62.7 |
| BE 10 L - 10 | 10 | 10 | 8 | 48 | 26,5 | 9 and 10 | AF GE 10 | 4.12 74 70.7 |
| BE 12 S - 8 * | 8 | 12 | 6,3 | 47 | 25 | 8 | AF GE 8 | 4.12 74 71.7 |
| BE 12 L - 10 | 10 | 12 | 8 | 47 | 25 | 9 and 10 | AF GE 10 | 4.12 74 72.7 |
| BE 15 L - 12 • | 12 | 15 | 10 | 57 | 25,5 | 12 and 12,5 | AF GE 13 | 4.12 74 82.7 |
| BE 18 L - 16 • | 16 | 18 | 12,5 | 57 | 25 | 16 | - | 4.12 74 97.7 |

Material: steel, zinc, plated.

Dimensions marked with * are produced on demand and can be supplied on request.

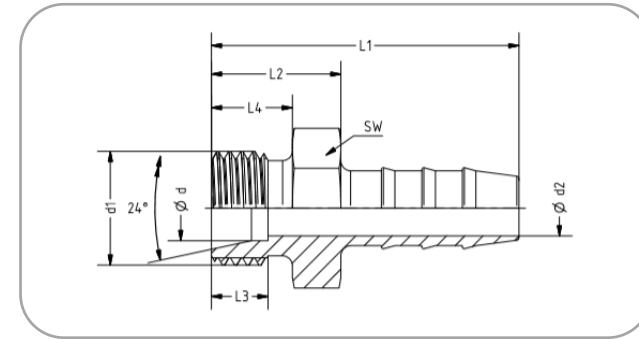
• Tube assemblies with these couplings must not be submitted to pressures exceeding 80% of the working pressure shown!

LL = very light version

L = light version

S = heavy version

Push-in coupling with cutting ring screw connection following DIN 2353 without cutting ring and screw cap >TR-insert-CE<



| code: TR-insert | DN | d | d1 | d2 | L1 | L2 | L3 | L4 | for inside Ø mm | suitable for TECALAN- hose-Type | part-no. |
|--------------------|----|----|------------|-----|----|----|----|----|--------------------|---------------------------------------|--------------|
| CE 6 L - 4 * | 4 | 6 | M 12 x 1,5 | 3 | 30 | 15 | 7 | 10 | 4 | GE 4, AF 4 | 4.12 73 40.7 |
| CE 6 L - 5 * | 5 | 8 | M 12 x 1,5 | 3,8 | 31 | 15 | 7 | 10 | 5 | - | 4.12 73 42.7 |
| CE 8 L - 5 * | 5 | 8 | M 14 x 1,5 | 3,8 | 31 | 15 | 7 | 10 | 5 | - | 4.12 73 46.7 |
| CE 8 L - 6 * | 6 | 8 | M 14 x 1,5 | 4,8 | 31 | 15 | 7 | 10 | 6 | AF GE 6,3 | 4.12 73 50.7 |
| CE 8 L - 8 | 8 | 8 | M 14 x 1,5 | 6,3 | 38 | 16 | 7 | 10 | 8 | AF GE 8 | 4.12 73 60.7 |
| CE 10 L - 8 | 8 | 10 | M 16 x 1,5 | 6,3 | 38 | 17 | 7 | 11 | 8 | AF GE 8 | 4.12 73 68.7 |
| CE 10 L - 10 | 10 | 10 | M 16 x 1,5 | 8 | 38 | 16 | 7 | 11 | 9 and 10 | AF GE 10 | 4.12 73 70.7 |
| CE 12 L - 10 | 10 | 12 | M 18 x 1,5 | 8 | 39 | 17 | 7 | 11 | 9 and 10 | AF GE 10 | 4.12 73 79.7 |
| CE 15 L - 12 • | 12 | 15 | M 22 x 1,5 | 10 | 52 | 20 | 7 | 12 | 12 and 12,5 | AF GE 13 | 4.12 74 02.7 |

Material: steel, zinc, plated.

Dimensions marked with * are produced on demand and can be supplied on request.

• Tube assemblies with these couplings must not be submitted to pressures exceeding 80% of the working pressure shown!

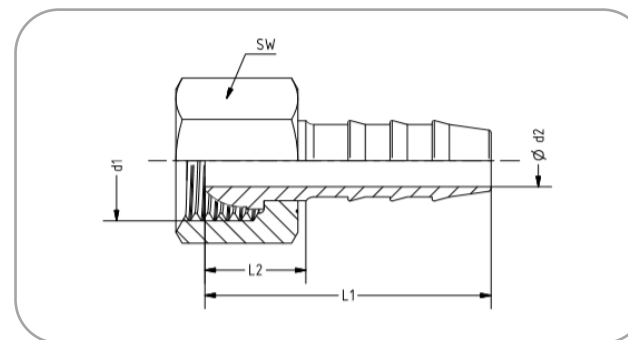
→ Attention! Do not use these couplings with rubber hoses!

Push-in coupling with ball-type nipple following DIN 3863

>TR-fitting-D<

incl. screw cap (packed separately) – for male sockets with inside cone 60°, ex. double socket (DO)

→ Attention! Do not use these couplings with rubber hoses!



| code: TR-fitting | DN | d1 | d2 | SW | L1 | L2 | for inside Ø mm | suitable for TECALAN-hose-Type | part-no. |
|---------------------|----|------------|-----|----|----|----|-----------------|-----------------------------------|--------------|
| D 10 x 1 - 3 * | 3 | M 10 x 1 | 1,8 | 14 | 24 | 11 | 3 | AF 2,5 | 2.01 3013.7 |
| D 10 x 1 - 4 | 4 | M 10 x 1 | 3 | 14 | 26 | 11 | 4 | GE 4, AF 4 | 2.01 3008.7 |
| D 12 x 1,5 - 4 | 4 | M 12 x 1,5 | 3 | 14 | 28 | 12 | 4 | GE 4, AF 4 | 2.01 30 14.7 |
| D 12 x 1,5 - 5 * | 5 | M 12 x 1,5 | 3,8 | 17 | 28 | 12 | 5 | - | 2.01 30 09.7 |
| D 14 x 1,5 - 5 * | 5 | M 14 x 1,5 | 3,8 | 17 | 28 | 12 | 5 | - | 2.01 30 15.7 |
| D 14 x 1,5 - 6 | 6 | M 14 x 1,5 | 4,8 | 17 | 28 | 12 | 6 | AF GE 6,3 | 2.01 30 10.7 |
| D 16 x 1,5 - 6 | 6 | M 16 x 1,5 | 4,8 | 19 | 28 | 12 | 6 | AF GE 6,3 | 2.01 30 20.7 |
| D 14 x 1,5 - 8 | 8 | M 14 x 1,5 | 6,3 | 19 | 34 | 12 | 8 | AF GE 8 | 2.01 30 11.7 |
| D 16 x 1,5 - 8 | 8 | M 16 x 1,5 | 6,3 | 19 | 34 | 12 | 8 | AF GE 8 | 2.01 30 17.7 |
| D 16 x 1,5 - 10 | 10 | M 16 x 1,5 | 8 | 19 | 34 | 12 | 9 and 10 | AF GE 10 | 2.01 30 12.7 |
| D 18 x 1,5 - 10 | 10 | M 18 x 1,5 | 8 | 22 | 34 | 13 | 9 and 10 | AF GE 10 | 2.01 30 18.7 |
| D 22 x 1,5 - 12 • | 12 | M 22 x 1,5 | 10 | 27 | 45 | 13 | 12 and 12,5 | AF GE 13 | 2.01 30 19.7 |
| DR 1/4" - 4 | 4 | R 1/4" | 3 | 17 | 28 | 12 | 4 | GE 4, AF 4 | 2.01 30 02.7 |
| DR 1/4" - 5 * | 5 | R 1/4" | 3,8 | 17 | 28 | 12 | 5 | - | 2.01 30 65.7 |
| DR 1/4" - 6 | 6 | R 1/4" | 4,8 | 17 | 28 | 12 | 6 | AF GE 6,3 | 2.01 30 66.7 |
| DR 3/8" - 6 * | 6 | R 3/8" | 4,8 | 20 | 28 | 12 | 6 | AF GE 6,3 | 2.01 30 76.7 |
| DR 1/4" - 8 * | 8 | R 1/4" | 6,3 | 17 | 34 | 12 | 8 | AF GE 8 | 2.01 30 68.7 |
| DR 3/8" - 8 * | 8 | R 3/8" | 6,3 | 20 | 34 | 12 | 8 | AF GE 8 | 2.01 30 03.7 |
| DR 3/8" - 10 * | 10 | R 3/8" | 8 | 20 | 34 | 12 | 9 and 10 | AF GE 10 | 2.01 30 06.7 |

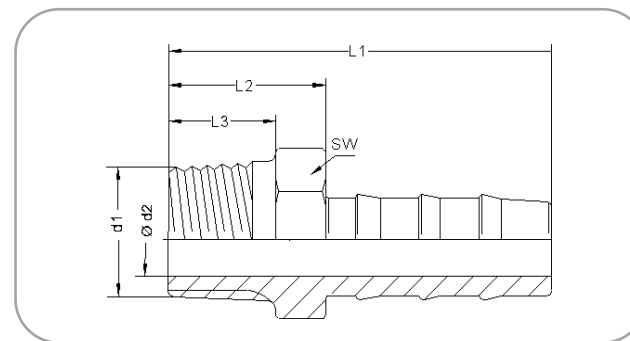
Material: steel, zinc, plated.

Dimensions marked with * are produced on demand and can be supplied on request.

• Tube assemblies with these couplings must not be submitted to pressures exceeding 80% of the working pressure shown!

Push-in coupling with male thread >TR-insert-AG<

For screwing in threaded holes and fittings



| code: TR-insert | DN | d1 | d2 | SW | L1 | L2 | L3 | for inside Ø mm | suitable with TECALAN- hose-Type | part-no. |
|--------------------|----|--------------|-----|----|------|----|----|--------------------|--|--------------|
| AG 10 x 1 k - 4 | 4 | M 10 x 1 keg | 3 | 11 | 24,5 | 10 | 5 | 4 | GE 4, AF 4 | 4.12 72 44.7 |
| AG 10 x 1 k - 5 * | 5 | M 10 x 1 keg | 3,8 | 11 | 24,5 | 10 | 5 | 5 | - | 4.12 72 39.7 |
| AG 10 x 1 k - 6 | 6 | M 10 x 1 keg | 3,8 | 11 | 24,5 | 10 | 5 | 6 | AF GE 6,3 | 4.12 72 46.7 |

Material: steel, zinc, plated.

Dimensions marked with * are produced on demand and can be supplied on request.

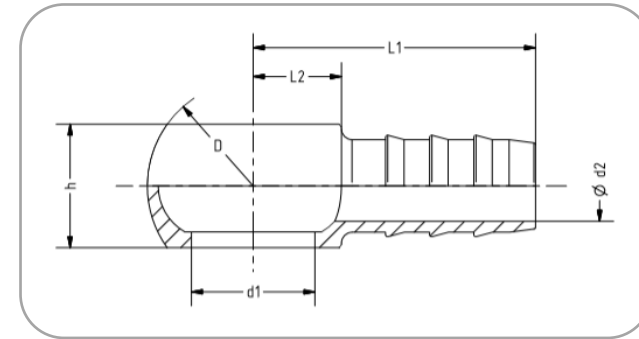
→ Attention! Do not use these couplings with rubber hoses!

Beethovenstr. 35D · 35410 Hungen / Hessen
Telefon: +49(0)6402/512150
Internet: www.tecalan.de

TECALAN

Push-in coupling with banjo following DIN 7642 >TR-banjo<

to use with banjo bolts (HO)
(see datasheet banjo bolt)



| code: TR-banjo | DN | d1 | d2 | h | D | L1 | L2 | for inside Ø mm | banjo bolt | part-no. |
|-------------------|----|----|-----|----|----|----|----|-----------------|------------|--------------|
| R 8 - 3 | 3 | 8 | 1,8 | 8 | 14 | 22 | 10 | 3 | M 8 x 1 | 4.12 76 21.7 |
| R 8 - 4 | 4 | 8 | 3 | 8 | 14 | 24 | 7 | 4 | M 8 x 1 | 4.12 76 30.7 |
| R 10 - 4 | 4 | 10 | 3 | 10 | 17 | 26 | 9 | 4 | M 10 x 1 | 4.12 86 35.7 |
| R 10 - 5 * | 5 | 10 | 3,8 | 10 | 17 | 26 | 9 | 5 | M 10 x 1 | 4.12 76 40.7 |
| R 12 - 5 * | 5 | 12 | 3,8 | 12 | 20 | 28 | 10 | 5 | M 12 x 1,5 | 4.12 86 45.7 |
| R 10 - 6 * | 6 | 10 | 4,8 | 10 | 17 | 26 | 9 | 6 | M 10 x 1 | 4.12 86 37.7 |
| R 12 - 6 | 6 | 12 | 4,8 | 12 | 20 | 28 | 10 | 6 | M 12 x 1,5 | 4.12 76 50.7 |
| R 14 - 6 | 6 | 14 | 4,8 | 14 | 24 | 28 | 12 | 6 | M 14 x 1,5 | 4.12 86 55.7 |
| R 16 - 6 | 6 | 16 | 4,8 | 16 | 28 | 30 | 14 | 6 | M 16 x 1,5 | 4.12 86 63.7 |
| R 12 - 8 | 8 | 12 | 6,3 | 12 | 20 | 34 | 10 | 8 | M 12 x 1,5 | 4.12 76 60.7 |
| R 14 - 8 | 8 | 14 | 6,3 | 14 | 24 | 34 | 12 | 8 | M 14 x 1,5 | 4.12 86 56.7 |
| R 16 - 8 * | 8 | 16 | 6,3 | 16 | 28 | 36 | 14 | 8 | M 16 x 1,5 | 4.12 86 64.7 |
| R 17 - 8 * | 8 | 17 | 6,3 | 17 | 28 | 36 | 14 | 8 | R 3/8" | 4.12 86 70.7 |
| R 14 - 10 | 10 | 14 | 8 | 14 | 24 | 34 | 12 | 9 and 10 | M 14 x 1,5 | 4.12 76 70.7 |
| R 16 - 10 | 10 | 16 | 8 | 16 | 28 | 36 | 14 | 9 and 10 | M 16 x 1,5 | 4.12 86 65.7 |
| R 17 - 10 * | 10 | 17 | 8 | 17 | 28 | 36 | 14 | 9 and 10 | R 3/8" | 4.12 86 71.7 |
| R 18 - 12 • * | 12 | 18 | 10 | 18 | 32 | 48 | 16 | 12 and 12,5 | M 18 x 1,5 | 4.12 86 75.7 |

Material: steel, zinc, plated.

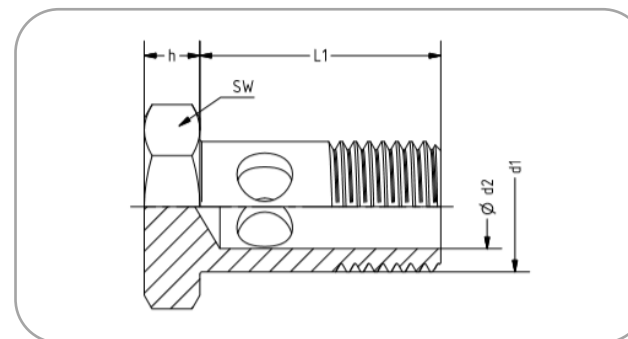
Dimensions marked with * are produced on demand and can be supplied on request.

• Tube assemblies with these couplings must not be submitted to pressures exceeding 80% of the working pressure shown!

→ Attention! Do not use these couplings with rubber hoses!

Banjo Bolt >HO< following DIN 7643

to use with banjos
(see datasheet banjos)



| code: banjo bolt | d1 | d2 | SW | L1 | h | part-no. |
|---------------------|------------|-----|----|----|---|--------------|
| HO 8 x 1 | M 8 x 1 | 4 | 12 | 17 | 5 | 4.01 90 10.2 |
| HO 10 x 1 | M 10 x 1 | 5,5 | 14 | 19 | 6 | 4.01 90 20.2 |
| HO 12 x 1,5 | M 12 x 1,5 | 7 | 17 | 24 | 6 | 4.01 90 30.2 |
| HO 14 x 1,5 | M 14 x 1,5 | 9 | 19 | 26 | 6 | 4.01 90 40.2 |
| HO R 1/8" | R 1/8" | 5,5 | 14 | 19 | 5 | 4.01 90 22.2 |
| HO R 1/4" | R 1/4" | 9 | 19 | 26 | 5 | 4.01 90 42.2 |
| HO R 3/8" | R 3/8" | 11 | 22 | 28 | 5 | 4.01 90 52.2 |

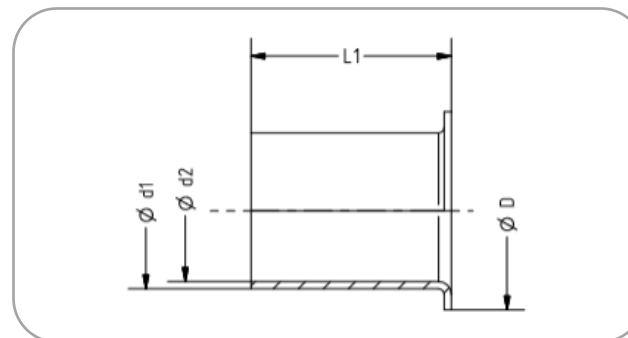
Material: steel, zinc, plated.

Beethovenstr. 35D · 35410 Hungen / Hessen
Telefon: +49(0)6402/512150
Internet: www.tecalan.de

TECALAN

Sleeve >E<

Sleeves have to be used to reinforce the tubing when these are fitted with cutting ring screw connections or compression type connectors



| code: sleeve | d1 | d2 | D | L1 | for TECALAN tube outside \varnothing | for TECALAN tube inside \varnothing | part-no. |
|------------------|------|------|------|----|---|--|--------------|
| E 4 / 2 | 2 | 1,3 | 3,5 | 8 | 4 | 2 | 4.37 00 20.1 |
| E 4 / 2,5 | 2,5 | 1,7 | 4 | 8 | 4 | 2,5 | 4.37 00 40.1 |
| E 5 - 6 / 3 | 3 | 2,2 | 5 | 10 | 5 / 6 | 3 | 4.37 01 17.1 |
| E 5 - 6 / 4 | 4 | 3,2 | 5 | 10 | 5 / 6 | 4 | 4.37 02 00.1 |
| E 8 / 4 | 4 | 3,2 | 6,6 | 15 | 8 | 4 | 4.37 02 60.1 |
| E 8 / 5 | 5 | 4 | 8 | 15 | 8 | 5 | 4.37 03 40.1 |
| E 8 - 10 / 6 | 6 | 5 | 8 | 15 | 8 / 10 | 6 | 4.37 03 80.1 |
| E 10 / 7,5 | 7,5 | 6,5 | 10 | 10 | 10 | 7,5 | 4.37 03 41.1 |
| E 10 / 8 | 8 | 6,7 | 10 | 15 | 10 | 8 | 4.37 04 80.1 |
| E 12 / 8 | 8 | 6,7 | 12 | 15 | 12 | 8 | 4.37 04 90.1 |
| E 12 / 9 | 9 | 7,7 | 12 | 15 | 12 | 9 | 4.37 05 05.1 |
| E 12 - 15 / 10 | 10 | 8,7 | 12 | 15 | 12 / 15 / 16 | 10 | 4.37 05 20.1 |
| E 15 / 12 | 12 | 10,7 | 14 | 15 | 15 | 12 | 4.37 05 19.1 |
| E 15 - 16 / 12,5 | 12,5 | 11,2 | 14,8 | 15 | 15 / 16 | 12,5 | 4.37 05 21.1 |
| E 18 / 14 | 14 | 12,7 | 17,8 | 18 | 18 | 14 | 4.37 05 22.1 |
| E 18 - 20 / 16 | 16 | 14,7 | 17,8 | 18 | 20 | 16 | 4.37 05 23.1 |
| E 22 / 18 | 18 | 16,7 | 21,8 | 20 | 22 | 18 | 4.37 05 24.1 |
| E 22 - 25 / 20 | 20 | 18,7 | 21,8 | 20 | 25 | 20 | 4.37 05 25.1 |

Material: brass

Beethovenstr. 35D · 35410 Hungen / Hessen
 Telefon: +49(0)6402/512150
 Internet: www.tecalan.de

TECALAN