



# Product Catalogue

## Hydraulic- hoses & Fittings

Beethovenstr. 35D · 35410 Hungen / Hessen  
Telefon: +49(0)6402/512150  
Internet: [www.tecalan.de](http://www.tecalan.de)  
E-Mail: [info@tecalan.de](mailto:info@tecalan.de)

# TECALAN

## Table of Contents

### Hoses

Maximum pressure-hoses, Type BF, Type BA und Type BR-700 .....	5
Medium pressure-hoses, Type AF, Type 250, Type AF...HH und Type AS .....	8
Automotive hoses and convertible hydraulic .....	12
Double-hoses, Type AF...DS und BF...DS .....	13
Paint spray-hoses, Type AF...Cu und BF...Cu .....	15
Low pressure-hoses, Type DKG-A, Type DKG-B, Type DKG-S und Type TGG-3E .....	17
Low pressure-hoses, Type N .....	21
Sewer cleaning hoses, Type RRS .....	22
PTFE-hoses, Type GL und GE .....	23
Protective hose sleeves .....	25

### One-Piece Fittings with Pre-Pressed Ferrules

P-fittings with socket (RS) .....	27
P-fittings with cutting ring screw connection 24° cone (CE-L) light series .....	28
P-fittings with cutting ring screw connection 24° cone (CE-S) heavy series .....	29
P-fittings with metric female swivel (DKM) .....	30
P-fittings with metric female swivel NPSM (DKN) .....	31
P-fittings with metric female swivel with O-Ring (DKO-L) light series .....	32
P-fittings with metric female swivel with O-Ring (DKO-S) heavy series .....	33
P-fittings with NPT male screw socket (AGN) .....	34
P-fittings with BSP male thread (AGR) .....	35
P-fittings with JIC 37° female swivel (DKJ) .....	36
P-fittings with BSP female swivel (DKR) .....	37

### Two-Piece Fittings DN4

Two-piece P-fittings with sealing cone and O-Ring (DKO-L und DKO-S) .....	39
Two-piece P-fittings with sealing cone and O-Ring (DKO-L), metric – 30° .....	40
Two-piece P-fittings with sealing cone and O-Ring (DKO-L und DKO-S), metric – 45° .....	41
Two-piece P-fittings with sealing cone and O-Ring (DKO-L und DKO-S), metric – 90° .....	42
U-Ferrules for DN4 Tecalan hoses .....	43

## **Screw Fittings**

<b>F-inserts with socket (BE) .....</b>	<b>45</b>
<b>F-inserts with cutting ring screw connection (CE) .....</b>	<b>46</b>
<b>F-inserts with metric female swivel (D/DR).....</b>	<b>47</b>
<b>F-inserts with metric female swivel with O-Ring (DKO) .....</b>	<b>48</b>
<b>F-inserts with socket (BE), 45° und 90° .....</b>	<b>49</b>
<b>Screw ferrules (HAF/HBF).....</b>	<b>50</b>

## **Mini-Hydraulic Fittings**

<b>BE-tube sockets for Tecalan hose AF1,8 und AF2,5.....</b>	<b>52</b>
<b>Plug-in connector short version for Tecalan hose type AF1,8.....</b>	<b>53</b>
<b>Plug-in connector short version for Tecalan hose type AF2,5.....</b>	<b>54</b>
<b>Plug-in connectors long version for Tecalan hose type AF1,8 and AF2,5 .....</b>	<b>55</b>
<b>Plug-in connectors 90°- version for Tecalan hose type AF1,8 and AF2,5.....</b>	<b>56</b>
<b>Connectors for Tecalan hose type AF1,8 und AF2,5 .....</b>	<b>57</b>
<b>Ferrules for Tecalan hose type AF1,8 und AF2,5 .....</b>	<b>58</b>

## **Ferrules**

<b>Clamping ferrules (HE) .....</b>	<b>60</b>
-------------------------------------	-----------

# Hoses

**TECALAN**

---

Beethovenstr. 35D · 35410 Hungen / Hessen  
Telefon: +49(0)6402/512150  
Internet: [www.tecalan.de](http://www.tecalan.de)

## Type BF



**for highest pressure hydraulic applications and conveyor pipe for technical fluids**

- Abrasion resistant and flexible
- Light weight
- Impulse resistance
- Temperature range: -40°C to +100°C
- For compressed air applications and water based fluids: max. temperature +60°C

Safety factor 3:1 for static applications  
(SF to be adjusted according to application and requirements)  
Safety Factor 5:1 for static applications with gas

**Construction / material:** Inner polyamide tube, 2 - polyester braids, outside cover polyurethane  
BF 4 – outside layer polyamide

Code	DN [mm]	Inner Ø [mm]	Outer Ø [mm]	Working pressure [bar]	ISO7751 Working pressure [bar]	Burst pressure at 23°C [bar]	Min. bending radius [mm]	Weight [kg/100 m]	Part-No.
<b>BF 4</b>	4	4,0	9,2	390	293	1170	40	5,5	2.42 20 40.1
<b>BF 6,3</b>	6	6,3	13,0	400	300	1200	63	11,0	2.42 30 63.1
<b>BF 8</b>	8	8,0	14,9	317	238	950	80	13,5	2.42 30 80.1
<b>BF 10</b>	10	10,0	18,0	300	225	900	100	19,0	2.42 31 00.1
<b>BF 13*</b>	12	13,0	21,9	217	163	650	130	27,0	2.42 31 30.1
<b>BF 19</b>	20	19,0	28,1	167	125	500	190	37,0	2.42 31 90.1

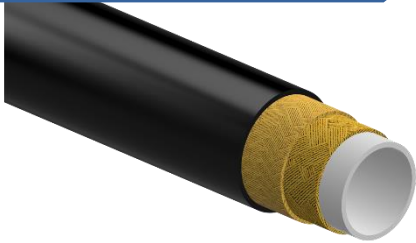
Assembly with TECALAN press fittings is general standard.  
When using screw fittings, working pressure and temperature on the fitting need to be noted.

One roll of 100 m can have up to three cuts. (100 m-rolls without cuts on request)

**\*Only screw fittings**

Features are referred to standard laboratory conditions (23°C +/- 5°C)

## Type BA



### for high pressure hydraulics and conveyor pipe for gases

- Abrasion resistant and flexible
- Light weight
- Suitable for most hydraulic fluids
- Impulse resistance
- Temperature range: -40°C to +93°C
- Entspricht SAE 100 R8
- For compressed air applications and water based fluids:  
max. temperature +60°C

Safety Factor 5:1 for static applications with gas

**Construction / material:** Inner polyamide tube, 2 – aramid braids, outside cover polyurethane, pin pricked.

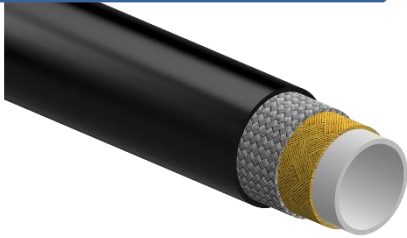
Code	DN [mm]	Inner Ø [mm]	Outer Ø [mm]	Working pressure [bar]	Burst pressure at 23°C [bar]	Min. bending radius [mm]	Weight [kg/100 m]	Part-no.
<b>BA 04</b>	4	4,0	8,2	362	1450	15	7,2	2.42 60 04.1
<b>BA 05</b>	5	5,0	9,2	362	1450	22	8,7	2.42 60 05.1
<b>BA 06</b>	6	6,5	12,4	362	1450	30	11,0	2.42 60 06.1
<b>BA 08</b>	8	8,0	14,3	350	1400	40	17,6	2.42 60 08.1
<b>BA 10</b>	10	9,8	16,4	300	1200	70	21,7	2.42 60 10.1
<b>BA 13</b>	12	13,0	20,4	250	1000	90	32,5	2.42 60 13.1

Assembly with TECALAN press fittings is general standard.

One roll of 100 m can have up to three cuts. (100 m-rolls without cuts on request)

Features are referred to standard laboratory conditions (23°C +/- 5°C)

## Type BR-700



### for very high pressure hydraulic applications and rescue tools

- Abrasion resistant and flexible
- Light weight
- Suitable for most hydraulic fluids and mineral oil
- Temperature range: -40°C bis +93°C
- For compressed air applications and water based fluids: max. temperature +60°C

Safety factor 4:1 for static applications

**Construction / Material:** Inside layer polyester-elastomer, 1 Aramid- and 1 steel wire braid, outside layer polyurethane, pin-pricked.

Code	DN	Inner Ø [mm]	Outer Ø [mm]	Working pressure [bar]	Burst pressure at 23°C [bar]	Min. bending radius [mm]	Weight [kg/100 m]	Part-No.
BR 700	6	6,4	13,0	700	2800	40	19,5	2.42 71 06.1

Assembly with TECALAN press fittings is general standard.

One roll of 100 m can have up to three cuts. (100 m-rolls without cuts on request)

Features are referred to standard laboratory conditions (23°C +/- 5°C)

## Type AF



**for highest pressure hydraulic applications and conveyor pipe for technical fluids**

- Abrasion resistant and flexible
- Light weight
- Impulse resistance
- Temperature range: -40°C to +100°C
- For compressed air applications and water based fluids: max. temperature +60°C

Safety factor 3:1 for static applications  
(SF to be adjusted according to application and requirements)  
Safety Factor 5:1 for static applications with gas

**Construction / material:** Inside layer polyamide, polyester braid, outside layer polyurethane AF 2 A -, AF 1,8 -, AF 2,5 - and AF 4 - outside layer polyamide

Code	DN [mm]	Inner Ø [mm]	Outer Ø [mm]	Working pressure [bar]	ISO7751 Working pressure [bar]	Burst pressure at 23°C [bar]	Min. bending radius [mm]	Weight [kg/100 m]	Part-No.
<b>AF 1,8</b>	2	1,8	4,5	287	215	860	18	1,2	2.42 10 18.1
<b>AF 2A</b>	2	2,0	5,0	667	500	2000	20	1,6	2.42 10 20.1
<b>AF 2,5</b>	2,5	2,5	5,9	287	215	860	25	2,4	2.42 10 25.1
<b>AF 3</b>	3	3,0	6,0	265	200	800	15	2,3	2.42 10 30.1
<b>AF 4</b>	4	4,0	8,1	287	215	860	40	4,0	2.42 10 40.1
GE 4	4	4,0	8,1	287	215	860	40	4,0	2.42 00 40.1
<b>AFGE 6,3</b>	6	6,3	11,2	233	175	700	63	7,5	2.42 00 63.1
<b>AFGE 8</b>	8	8,0	13,3	173	130	520	80	10,0	2.42 00 80.1
<b>AFGE 10</b>	10	10,0	16,7	150	113	450	100	14,5	2.42 01 00.1
<b>AFGE 13</b>	12	13,0	21,4	117	88	350	130	22,0	2.42 01 30.1

Assembly with TECALAN press fittings is general standard, from DN4 screw fittings can be used.  
When using screw fittings, working pressure and temperature on the fitting need to be noted.

One roll of 100 m can have up to three cuts. (100 m-rolls without cuts on request)

Features are referred to standard laboratory conditions (23°C +/- 5°C)



## Type 250



**for pneumatic high pressure hydraulic and as feed pipe for technical fluids**

- Abrasion resistant and flexible
- Light weight
- Impulse resistance
- Suitable for most hydraulic fluids and chemicals
- Temperature range: -40°C bis +93°C
- Correspond to SAE 100 R7
- For compressed air applications and water based fluids: max. temperature +60°C

Safety Factor 5:1 for static applications with gas

**Construction/material:** Inside layer polyamide, 2 layers of braided polyester, outside layer polyester-elastomer.  
250 DN 4 hoses – 1 layer of braided polyester.

Code	DN	Inner Ø [mm]	Outer Ø [mm]	Working-pressure [bar]	Burst pressure at 23°C [bar]	Min. bending radius [mm]	Weight [kg/100 m]	Part-No.
250 DN 4	4	4,0	8,1	215	860	40	4,0	2.42 00 40.7
250 DN 6	6	6,3	13,0	300	1200	63	11,0	2.42 30 63.7
250 DN 8	8	8,0	14,9	238	950	80	13,5	2.42 30 80.7
250 DN 10	10	10,0	18,0	225	900	100	19,0	2.42 31 00.7
250 DN 12	12	13,0	22,5	200	800	130	27,5	2.42 31 20.7

Assembly with TECALAN press fittings is general standard.

One roll of 100 m can have up to three cuts. (100 m-rolls without cuts on request)

Features are referred to standard laboratory conditions (23°C +/- 5°C)

## Type AF...HH



for pneumatic and high pressure hydraulic applications and as feed pipe for technical fluids

- Abrasion resistant and flexible
- Light weight
- Impulse resistance
- High flexibility by subzero temperatures
- Temperature range: -40°C bis +100°C
- For compressed air applications and water based fluids: max. temperature +60°C

Safety Factor 3:1 for static applications  
(SF to be adjusted according to application and requirements)  
Safety Factor 5:1 for static applications with gas

**Construction / material:** Inside- and outside layer polyester elastomer, polyester braid.

Code	DN	Inner Ø [mm]	Outer Ø [mm]	Working pressure [bar]	ISO7751 Working Pressure [bar]	Burst pressure at 23°C [bar]	Min. bending radius [mm]	Weight [kg/100 m]	Part-no.
<b>AF 6,3 HH</b>	6	6,3	11,3	183	138	550	40	7,5	2.41 10 06.1
<b>AF 8 HH</b>	8	8,0	14,9	233	175	700	60	14,1	2.41 10 08.1

Assembly with TECALAN press fittings is general standard.

One roll of 100 m can have up to three cuts. (100 m-rolls without cuts on request)

Features are referred to standard laboratory conditions (23°C +/- 5°C)

## Type AS



for high pressure hydraulic applications and as conveyor pipe for technical fluids

- Abrasion resistant and flexible
- Light weight
- Impulse resistance
- Temperature range: -40°C bis +90°C
- For compressed air applications and water based fluids: max. temperature +60°C

Safety factor 4:1 for static applications

**Construction / Material:** Inside layer polyester-elastomer, one steel wire braid, outside layer polyurethane, pin-pricked.

Code	DN	Inner Ø [mm]	Outer Ø [mm]	Working pressure [bar]	Burst pressure at 23°C [bar]	Min. bending radius [mm]	Weight [kg/100 m]	Part-No.
<b>AS 05</b>	5	4,9	10,0	330	1320	30	11,5	2.42 50 05.1
<b>AS 06</b>	6	6,4	12,2	300	1200	40	16,0	2.42 50 06.1
<b>AS 08</b>	8	8,0	13,8	250	1000	50	21,0	2.42 50 08.1
<b>AS 10</b>	10	10,0	16,0	215	860	60	25,0	2.42 50 10.1
<b>AS 13</b>	13	12,9	20,0	180	720	75	32,0	2.42 50 13.1

Assembly with TECALAN press fittings is general standard.

One roll of 100 m can have up to three cuts. (100 m-rolls without cuts on request)

Features are referred to standard laboratory conditions (23°C +/- 5°C)

# Automotive hoses (unit hoses), hydraulics for convertibles

for highest pressure hydraulic applications and conveyor pipe for technical fluids



**TYPE AF**



**TYPE BF**

- Abrasion resistant and flexible
- Light weight
- Impulse resistance
- Temperature range: -40°C to +100°C
- For compressed air applications and water based fluids: max. temperature +60°C

Safety factor 3:1 for static applications  
(SF to be adjusted according to application and requirements)  
Safety Factor 5:1 for static applications with gas

**Construction / material:** Inside layer polyamide, Polyester braid (for AF2A Aramid-braid), outside layer polyamide.

**Construction / material:** Inside layer polyamide, 2 – polyester braids, outside layer polyamide.

Code	DN [mm]	Inner Ø [mm]	Outer Ø [mm]	Working pressure [bar]	ISO7751 Working Pressure [bar]	Burst pressure at 23°C [bar]	Min. bending radius [mm]	Weight [kg/100 m]	Part-No.
<b>AF 1,8</b>	2	1,8	4,5	287	215	860	18	1,2	2.42 10 18.1
<b>AF 2A</b>	2	2,0	5,0	667	500	2000	20	1,6	2.42 10 20.1
<b>AF 2,5</b>	2,5	2,5	5,9	287	215	860	25	2,3	2.42 10 25.1
<b>AF 3</b>	3	3,0	6,0	265	200	800	30	2,2	2.42 10 30.1
<b>AF 4</b>	4	4,0	8,1	287	215	860	40	4,0	2.42 10 40.1
<b>BF 4</b>	4	4,0	9,2	390	293	1170	40	5,5	2.42 20 40.1

Assembly with TECALAN press fittings is general standard.  
One roll of 100 m can have up to three cuts. (100 m-rolls without cuts on request)

Features are referred to standard laboratory conditions (23°C +/- 5°C)

## Type AF...DS



for very high hydraulic applications and as conveyor pipe for technical fluids

- Abrasion resistant and flexible
- Light weight
- Impulse resistance
- Temperature range: -40°C to +100°C
- For compressed air applications and water based fluids: max. temperature +60°C

Safety factor 3:1 for static applications  
(SF to be adjusted according to application and requirements)  
Safety Factor 5:1 for static applications with gas

**Construction / material:** Inner polyamide tube, polyester braid, outside cover polyurethane  
AF 4 – outside layer polyamide

Code	DN [mm]	Inner Ø [mm]	Outer Ø [mm]	Working pressure [bar]	ISO7751 Working pressure [bar]	Burst pressure at 23°C [bar]	Min. bending radius [mm]	Weight [kg/100 m]	Part-No.
GE 4 DS	4	2 x 4,0	8,1	287	215	860	40	8,0	6.50 90 58.1
<b>AFGE 6,3 DS</b>	6	2 x 6,3	11,2	233	175	700	63	15,0	6.50 90 59.0
<b>AFGE 8 DS</b>	8	2 x 8,0	13,3	173	130	520	80	20,0	6.50 90 60.0
<b>AFGE 10 DS</b>	10	2 x 8,0	16,7	150	113	450	100	29,0	6.50 90 61.0
<b>AFGE 13 DS</b>	12	2 x 13,0	21,4	117	117	350	130	44,0	6.50 90 62.0

Assembly with TECALAN press fittings is general standard, from DN4 screw fittings can be used.

By welding the outside cover of thermoplastic hoses, double and multiple hoses can be produced in a desired design. Different variants of diameters and the number of hoses per line package (max.7) can be produced. – Other types of hoses and combinations with TECALAN-tubes are available on request.

Features are referred to standard laboratory conditions (23°C +/- 5°C)

## Type BF...DS



**for highest pressure hydraulic applications and conveyor pipe for technical fluids**

- Abrasion resistant and flexible
- Light weight
- Impulse resistance
- Temperature range: -40°C bis +100°C
- For compressed air applications and water based fluids: max. temperature +60°C

Safety factor 3:1 for static applications  
(SF to be adjusted according to application and requirements)  
Safety Factor 5:1 for static applications with gas

**Construction / material:** Inner polyamide tube, 2 - polyester braids, outside cover polyurethane  
BF 4 – outside layer polyamide

Code	DN [mm]	Inner Ø [mm]	Outer Ø [mm]	Working pressure [bar]	ISO7751 Working pressure [bar]	Burst pressure at 23°C [bar]	Min. bending radius [mm]	Weight [kg/100 m]	Part-No.
<b>BF 4 DS</b>	4	2 x 4,0	9,2	390	293	1170	40	11,0	6.50 90 63.0
<b>BF 6,3 DS</b>	6	2 x 6,3	13,0	400	300	1200	63	22,0	6.50 90 08.0
<b>BF 8 DS</b>	8	2 x 8,0	14,9	317	238	950	80	27,0	6.50 90 03.0
<b>BF 10 DS</b>	10	2 x 10,0	18,0	300	225	900	100	38,0	6.50 90 04.0
<b>BF 13 DS</b>	12	2 x 13,0	21,9	217	163	650	130	54,0	6.50 90 13.0
<b>BF 19 DS</b>	20	2 x 19,0	28,1	167	125	500	190	74,0	6.50 90 64.0

Assembly with TECALAN press fittings is general standard, from DN4 screw fittings can be used.

By welding the outside cover of thermoplastic hoses, double and multiple hoses can be produced in a desired design. Different variants of diameters and the number of hoses per line package (max.7) can be produced. – Other types of hoses and combinations with TECALAN-tubes are available on request.

Features are referred to standard laboratory conditions (23°C +/- 5°C)

## Type AF...Cu



### TECALAN – solvent and paint spray hoses

The hose Type AF...Cu stand out for flexibility, impulse resistance and resistance to ageing as well as low weight.

- Temperaturbeständigkeit: -40°C bis +80°C

This hose type is highly resistant to paints, technical fluids and solvents used for cleaning.

Safety Factor 3:1 for static applications  
(SF to be adjusted according to application and requirements)  
Safety Factor 5:1 for static applications with gas

**Note:** Paint hose assemblies are subject to prescriptions stated by official authorities. Assembling of these hoses is reserved to the manufacturer, especially authorized workshops and service agencies.

**Construction / material:** Inside layer polyamide, braid made of highly resistant polyester fibers with interwoven copper conductor to neutralize electro static loads, outside layer polyurethane.

Code	DN [mm]	Inner Ø [mm]	Outer Ø [mm]	Working pressure [bar]	ISO7751 Working pressure [bar]	Burst pressure at 23°C [bar]	Min. bending radius [mm]	Weight [kg/100 m]	part-no.
<b>AF 4 Cu</b>	4	4,0	8,1	287	215	860	40	4,0	2.42 10 41.1
<b>AF 6,3 Cu</b>	6	6,3	11,2	233	175	700	63	7,5	2.42 00 64.1

Assembly with TECALAN press fittings is general standard.

One roll of 100 m can have up to three cuts. (100 m-rolls without cuts on request)

Features are referred to standard laboratory conditions (23°C +/- 5°C)

## Type BF...Cu



### TECALAN – solvent and paint spray hoses

The hose Type BF...Cu stand out for flexibility, impulse resistance and resistance to ageing as well as low weight.

- Temperature range: -40°C to +80°C

This hose type is highly resistant to paints, technical fluids and solvents used for cleaning.

Safety factor 3:1 for static applications  
(SF to be adjusted according to application and requirements)  
Safety Factor 5:1 for static applications with gas

**Note:** Paint hose assemblies are subject to prescriptions stated by official authorities. Assembling of these hoses is reserved to the manufacturer, especially authorized workshops and service agencies.

**Construction / material:** Inside layer polyamide, 2 braids made of highly resistant polyester fibers with interwoven copper conductor to neutralize electro static loads, outside layer polyurethane.

Code	DN [mm]	Inner Ø [mm]	Outer Ø [mm]	Working pressure [bar]	ISO7751 Working Pressure [bar]	Burst pressure at 23°C [bar]	Min. bending radius [mm]	Weight [kg/100 m]	Part-no.
<b>BF 4 Cu</b>	4	4,0	9,2	390	293	1170	40	5,5	2.42 20 42.1
<b>BF 6,3 Cu</b>	6	6,3	13,0	400	300	1200	63	11,0	2.42 30 64.1
<b>BF 10 Cu</b>	10	10,0	17,8	300	225	900	100	19,0	2.42 31 01.1

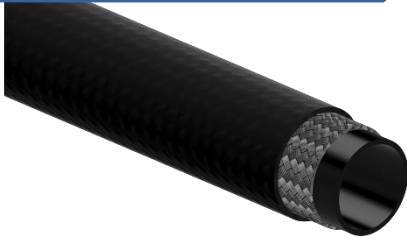
Assembly with TECALAN press fittings is general standard.

One roll of 100 m can have up to three cuts. (100 m-rolls without cuts on request)

Features are referred to standard laboratory conditions (23°C +/- 5°C)



## Type DKG-A



**Hose of synthetic rubber, textile-reinforced, according to DIN 73379 Type 2A as conveyor pipe for technical fluids**

- Abrasion resistant and flexible
- Suitable for gasoline- and diesel fuels, most hydraulic fluids, coolants, aqueous solutions and autogas
- Temperature range: -35°C to +90°C

**Construction / material:** Inner layer synthetic NBR rubber, textile braid, outside cover synthetic CR rubber

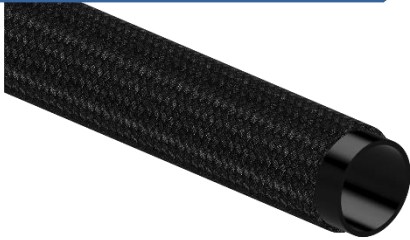
Code	Inner Ø [mm]	Outer Ø [mm]	Wall thickness [mm]	Working pressure [bar]	Burst pressure at 23°C [bar]	Min. bending radius [mm]	Weight [kg/100 m]	Part-No.
<b>DKG - A 3 *</b>	4,5	10,5	3,0	10	40	50	9,6	0201020337
<b>DKG - A 4 *</b>	6,0	12,0	3,0	10	40	70	11,4	0201020338
<b>DKG - A 6</b>	7,5	13,5	3,0	10	40	70	13,3	0201020339
<b>DKG - A 8</b>	9,0	15,0	3,0	10	40	80	15,4	0201020340
<b>DKG - A 10 *</b>	12,0	19,0	3,5	10	40	100	23,0	0201020341

Assembly with TECALAN press fittings is general standard.

Dimensions marked with \* are produced on demand and can be supplied on request.

Features are referred to standard laboratory conditions (23°C +/- 5°C)

## Type DKG-B



**Hose of synthetic rubber, textile-reinforced, according to DIN 73379 Type B as conveyor pipe for technical fluids**

- Abrasion resistant and flexible
- Suitable for gasoline and diesel fuels, most hydraulic fluids, lubricants, coolants and aqueous solutions
- Temperature range: -35°C to +90°C

**Construction / material:** Inner layer synthetic NBR rubber, outside cover vulcanized textile braid

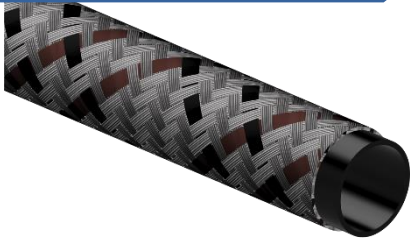
Code	Inner Ø [mm]	Outer Ø [mm]	Wall thickness [mm]	Working pressure [bar]	Burst pressure at 23°C [bar]	Min. bending radius [mm]	Weight [kg/100 m]	Part-no.
<b>DKG - B 2 *</b>	3,2	7,0	1,9	10	40	40	3,2	0201010085
<b>DKG - B 3 *</b>	4,5	9,5	2,5	10	40	50	6,0	0201010086
<b>DKG - B 4</b>	5,5	10,5	2,5	10	40	50	7,0	0201010087
<b>DKG - B 6</b>	7,5	12,5	2,5	10	40	65	8,9	0201010088
<b>DKG - B 8</b>	9,0	14,0	2,5	10	40	65	10,2	0201010089
<b>DKG - B 10 *</b>	11,5	17,5	3,0	10	40	95	15,9	0201010090
<b>DKG - B 13 *</b>	14,0	22,0	4,0	10	40	120	27,3	0201010091

Assembly with TECALAN press fittings is general standard.

Dimensions marked with \* are produced on demand and can be supplied on request.

Features are referred to standard laboratory conditions (23°C +/- 5°C)

## Type DKG-S



**Rubber hose with steel wire braid, according to DIN EN ISO 6806, as conveyor pipe for technical fluids**

- Abrasion resistant and flexible
- Suitable for fuel oil and diesel\*, most hydraulic fluids, coolants and aqueous solutions
- Temperature range: -35°C to +70°C

**Construction / material:** Inner layer synthetic NBR rubber, outside layer steel wire braid.

\*Biodiesel (RME) blending up to 12%.

Code	Inner Ø [mm]	Outer Ø [mm]	Wall thickness [mm]	Working pressure [bar]	Burst pressure at 23°C [bar]	Min. bending radius [mm]	Weight [kg/100 m]	Part-no.
<b>DKG - S 03</b>	4,5	9,0	2,25	10	40	25	10,8	0201020253
<b>DKG - S 04</b>	5,5	10,5	2,5	10	40	30	13,5	0201020254
<b>DKG - S 06</b>	7,5	12,5	2,5	10	40	40	17,3	0201020255
<b>DKG - S 08</b>	9,5	14,5	2,5	10	40	60	19,7	0201020256
<b>DKG - S 10</b>	11,5	17,5	3,0	10	40	80	25,3	0201020257
<b>DKG - S 13 *</b>	15,3	22,0	3,35	10	40	100	42,1	0201020258

Assembly with TECALAN press fittings is general standard.

Dimensions marked with \* are produced on demand and can be supplied on request.

Features are referred to standard laboratory conditions (23°C +/- 5°C)

## Type TGG-3E



Low pressure hose made of synthetic rubber, multiple layers, reinforced with aramid, DIN 73379 Typ 3E, conveyor pipe for technical fluids

- Abrasion resistant and flexible
- Suitable for Bio-Diesel, Eco-Diesel (RME-PME-fuel) and all types of fuels
- Low emissions and high temperature resistance
- Temperature range: -40°C bis +125°C

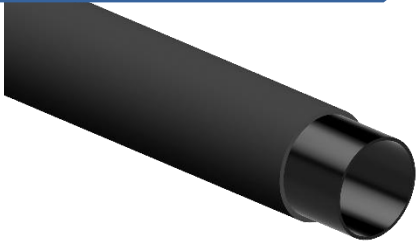
**Construction / material:** Inner layer synthetic FPM rubber with additional layer synthetic ECO-rubber, Aramid-braid, outside cover synthetic ECO-rubber.

Code	Inner Ø [mm]	Outer Ø [mm]	Wall thickness [mm]	Working pressure [bar]	Burst pressure at 23°C [bar]	Min. bending radius [mm]	Weight [kg/100 m]	Part-No.
<b>TGG 6 x 3</b>	6,0	12,0	3,0	10	40	70	12,6	0301020354

Assembly with TECALAN press fittings is general standard.

Features are referred to standard laboratory conditions (23°C +/- 5°C)

# Type N



for pneumatic applications, low pressure hydraulics and conveyor pipe for technical fluids

- Abrasion resistant and flexible
- Light weight
- Resistant against most technical fluids
- Temperature range: -40°C bis +100°C
- For compressed air applications and water based fluids: max. temperature +60°C

Safety factor 2,5:1 for static applications  
(SF to be adjusted according to application and requirements)

**Construction / material:** 2-layers: Inner polyamide tube, outside layer polyurethane.

Code	DN [mm]	Inner Ø [mm]	Outer Ø [mm]	Working pressure [bar]	Burst pressure at 23°C [bar]	Min. bending radius [mm]	Weight [kg/100 m]	Part-No.
N 6	6,3	10,5	16	40	55	ca. 6,5	100	2.41 90 68.1
N 7,5	* 7,5	12,0	16	40	65	ca. 7,6	100	2.41 90 75.8
N 9	* 9,0	15,0	16	40	70	ca. 13,5	100	2.41 90 90.1

**Assembly:** with TECALAN impact fittings

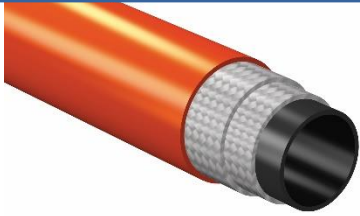
Features are referred to standard laboratory conditions (23°C +/- 5°C)

Dimensions marked with \* are produced on demand and can be supplied on request.

**Utilization factor of the permissible working pressures**

Temperature range	From -60°C to								
	+20°C	+30°C	+40°C	+50°C	+60°C	+70°C	+80°C	+90°C	+100°C
For TECALAN – N6; N7,5 and N9 - hoses	100%	87%	73%	67%	60%	53%	47%	44%	36%

## Sewer Cleaning Hose Type RRS



### for high pressure cleaning of sewerage systems and pipelines

- Abrasion resistant and flexible
- Light weight
- Suitable for high mechanic stress
- Temperature range: -20°C bis +40°C for applications in water based fluids

**Construction / material:** Inside layer polyethylene, 2 polyester braids, outside layer abrasion resistant polyurethane.

Code	DN	Inner Ø [mm]	Outer Ø [mm]	Working pressure [bar]	Burst pressure at 23°C [bar]	Min. bending radius [mm]	Weight [kg/100 m]
RRS 13-050	½"	13,0	22,5	200	500	80	29
RRS 20-050	¾"	20,0	31,0	200	500	100	48
RRS 25-050	1"	25,2	38,5	200	500	150	71,5
RRS 32-050	1¼"	32,5	48,0	200	500	200	101
RRS 13-130	½"	13,0	23,0	250	625	90	32
RRS 20-130	¾"	20,0	32,0	250	625	120	52
RRS 25-130	1"	25,2	40,0	250	625	180	77
RRS 32-130	1¼"	32,5	50,0	250	625	240	108

### Assembly:

TECALAN press fittings with cylindrical and conical external threads (BSP and NPT) are available as connecting elements, press connections with 60° sealing cone (BSP) and the corresponding press sleeves are available.

### Technical Info:

- Features are referred to standard laboratory conditions (23°C +/- 5°C).
- The safety factor 2.5 was applied when calculating the permissible operating pressure.
- Standard lengths are manufactured up to 120 metres hose length, longer lengths are offered on request.
- All the above hose types are manufactured with a micro-perforated outer layer.

## AUFBAU/WERKSTOFF:

Glattwandiges Innenrohr aus natürlichem PTFE, zertifiziert gemäß RoHS-Richtlinie und nach FDA-Verordnung 21 CFR 177.1550 der US-amerikanischen Lebensmittel- und Arzneimittelzulassung. Hochwertige Materialien und fortschrittliche Verarbeitungstechnologien garantieren eine hohe Flexibilität und minimale Porosität. Ummantelung aus 1.4307 (AISI 304L) mit hoher Zugfestigkeit.

## EDELSTAHLDRAHTGEFLECHTE PTFE-SCHLAUCH

*Glatte Innenwand*



Handelspartner **ITG**

TECALAN TEILE- NUMMER	INNEN Ø		PTFE WAND- DICKE	AUS- SEN Ø	GEWICHT JE LÄNGEN- EINHEIT	MINIMALER BIEGE- RADIUS	MAXIMALER ARBEITSDRUCK (BEI 23°C)	MINDEST BERSTDRUCK (BEI 23°C)
	Nennwert	mm						
T1SB010030	1/8	3.20	0.7	5.80	55	25	270/27.0	1080/108
T1SB010050	3/16	4.80	0.7	7.40	70	35	200/20.0	800/80.0
T1SB010065	1/4	6.35	0.7	9.00	90	45	175/17.5	700/70.0
T1SB010080	5/16	7.90	0.7	10.80	125	50	150/15.0	600/60.0
T1SB010095	3/8	9.50	0.7	12.40	145	60	135/13.5	540/54.0
T1SB010130	1/2	12.70	0.7	15.70	215	90	120/12.0	480/48.0
T1SB010160	5/8	15.90	0.8	19.10	265	120	100/10.0	400/40.0
T1SB010190	3/4	19.00	0.8	22.20	320	190	90/9.0	360/36.0
T1SB010254	1	25.40	1.0	29.30	460	270	65/6.5	260/26.0

Um die Qualität und Zuverlässigkeit der ITG Produkte zu gewährleisten, werden alle PTFE-Innenrohre unter Druck geprüft. **Diese Schläuche sind für statische Anwendungen entwickelt.**

## ANWENDUNGEN:

Chemikalien, Petrochemikalien, Farben, Tinten, Klebstoffe, Lebensmittel, Bremsöle, Kraftstoffe, Hydrauliköle, Dampf, Gase, Reinigungsmittel, Kältemittel und alle Anwendungen, die sich auf die Übertragung von Flüssigkeiten und Gasen unter kritischen und schwierigen Einsatzbedingungen bewährt haben.

**EMPFOHLENE BETRIEBSTEMPERATUREN:** bis zu +250°C

## TEMPERATUREN UND DRUCK- ALLGEMEINE SPEZIFIKATION:

Bei Temperaturen über 130 °C reduziert sich der Berstdruck je 1°C um 0,75% mit Sicherheitsfaktor 4:1.

ARBEITS- TEMPERATUR	BERSTDRUCK- REDUKTION
Bis zu 130 °C	100 % aktiv
150°C	85% aktiv
180°C	63% aktiv
200°C	48% aktiv
220°C	33% aktiv
250°C	10% aktiv

Die in diesem Blatt enthaltenen Werte und Angaben dienen nur zur Information und dürfen in keinem Fall als Garantie, Verpflichtung, ausdrückliche oder stillschweigende Verpflichtung angesehen oder impliziert werden. ITG SRL kann keinerlei Haftung für Abweichungen von den in den Tabellen angegebenen Werten oder für den Missbrauch des Produkts durch den Kunden übernehmen.

## AUFBAU/WERKSTOFF:

Gewelltes Innenrohr aus natürlichem PTFE, zertifiziert gemäß RoHS-Richtlinie und nach FDA-Verordnung 21 CFR 177.1550 der US-amerikanischen Lebensmittel- und Arzneimittelzulassung. Hochwertige Materialien und fortschrittliche Verarbeitungstechnologien garantieren eine hohe Flexibilität und minimale Porosität. Ummantelung aus 1.4307 (AISI 304L) mit hoher Zugfestigkeit.

## EDELSTAHLDRAHTGEFLECHTE PTFE-SCHLAUCH

*Gewellte Innenwand*



Handelspartner **ITG**

TECALAN TEILE- NUMMER	INNEN Ø		PTFE WAND- DICKE	AUS- SEN Ø	GEWICHT JE LÄNGEN- EINHEIT	MINIMALER BIEGE- RADIUS	MAXIMALER ARBEITSDRUCK (BEI 23°C)	MINDEST BERSTDRUCK (BEI 23°C)
	Nennwert	mm						
T1CB010065	1/4	6.90	0.9	11.50	137	18	135/13.5	540/54.0
T1CB010080	5/16	8.00	0.9	13.00	178	19	130/13.0	520/52.0
T1CB010095	3/8	10.50	0.9	15.50	222	20	125/12.5	500/50.0
T1CB010130	1/2	13.75	0.9	18.50	282	25	110/11.0	440/44.0
T1CB010160	5/8	16.50	1.0	22.50	346	50	80/8.0	320/32.0
T1CB010190	3/4	20.00	1.0	26.70	427	65	70/7.0	280/28.0
T1CB010254	1	25.90	1.1	33.70	555	90	50/5.0	200/20.0
T1CB010320	1 1/4	32.00	1.1	40.50	729	125	48/4.8	190/19.0
T1CB010380	1 1/2	38.10	1.1	48.30	880	145	43/4.3	172/17.2
T1CB010500	2	51.00	1.2	61.50	1196	180	34/3.4	136/13.6

Um die Qualität und Zuverlässigkeit der ITG Produkte zu gewährleisten, werden alle PTFE-Innenrohre unter Druck geprüft. **Diese Schläuche sind für statische Anwendungen entwickelt.**

## ANWENDUNGEN:

Chemikalien, Petrochemikalien, Farben, Tinten, Klebstoffe, Lebensmittel, Bremsöle, Kraftstoffe, Hydrauliköle, Dampf, Gase, Reinigungsmittel, Kältemittel und alle Anwendungen, die sich auf die Übertragung von Flüssigkeiten und Gasen unter kritischen und schwierigen Einsatzbedingungen bewährt haben.

**EMPFOHLENE BETRIEBSTEMPERATUREN:** bis zu +220°C

## TEMPERATUREN UND DRUCK - ALLGEMEINE SPEZIFIKATION:

Bei Temperaturen über 130 °C reduziert sich der Berstdruck je 1°C um 1% mit Sicherheitsfaktor 4:1.

ARBEITS- TEMPERATUR	BERSTDRUCK- REDUKTION
Bis zu 130 °C	100 % aktiv
150°C	80% aktiv
180°C	50% aktiv
200°C	30% aktiv
220°C	10% aktiv

Die in diesem Blatt enthaltenen Werte und Angaben dienen nur zur Information und dürfen in keinem Fall als Garantie, Verpflichtung, ausdrückliche oder stillschweigende Verpflichtung angesehen oder impliziert werden. ITG SRL kann keinerlei Haftung für Abweichungen von den in den Tabellen angegebenen Werten oder für den Missbrauch des Produkts durch den Kunden übernehmen.



**Protective hose cover  
made of textile tissue**



**for hydraulic hose protection against  
mechanical stress and UV radiation**

- Abrasion resistant and flexible
- Light weight
- Suitable for most hydraulic fluids

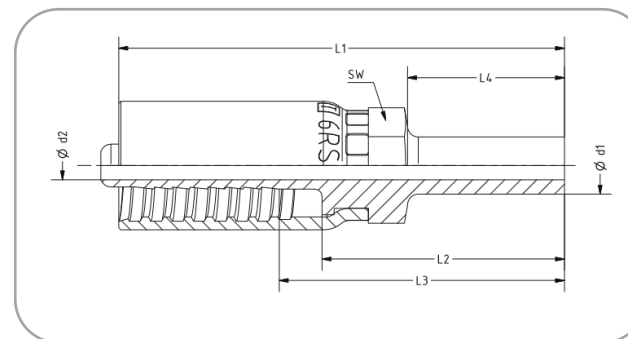
Code	Width [mm]	for hose Ø [mm]	Weight [g/m]	Roll/Unit [kg]	Part-No.
03GTP-35	35	20	27	1,35	800 100.10
03GTP-40	40	22	32	1,60	800 100.20
03GTP-45	45	25	34	1,70	800 100.30
03GTP-50	50	28	38	1,90	800 100.40
03GTP-55	55	32	42	2,10	800 100.50
03GTP-65	65	38	48	2,40	800 100.60
03GTP-80	80	45	60	3,00	800 100.70
03GTP-90	90	50	65	3,25	800 100.80
03GTP-120	120	70	96	4,80	800 100.90
03GTP-150	150	90	112	5,60	800 101.10

# One Piece Fittings Fittings with Pre-Pressed Ferrules

**TECALAN**

Beethovenstr. 35D · 35410 Hungen / Hessen  
Telefon: +49(0)6402/512150  
Internet: [www.tecalan.de](http://www.tecalan.de)

## P-fitting with socket (RS) for cutting ring screw connection



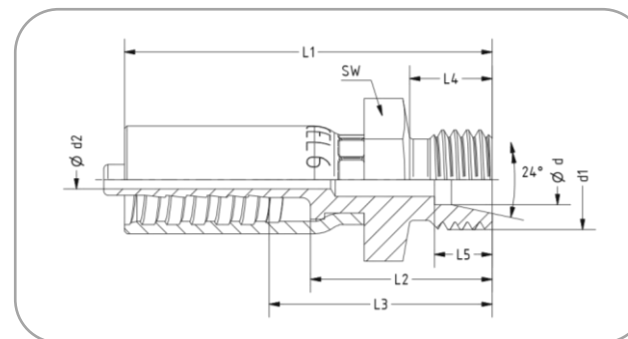
Suitable for TECALAN-hose Type 250, AF...HH, AF...Cu, BF...Cu

code: P-fitting	DN	d1	d2	SW	L1	L2	L3	L4	pusher	part-no.
4 RS 6	4	6	2	10	57	32	38	20	SW 10	5.12 44 10.1
4 RS 8	4	8	2	14	59	34	40	22	SW 14	5.12 44 12.1
6 RS 8	6	8	3,8	14	65	34	40	22	SW 14	5.12 44 14.1
6 RS 10	6	10	3,8	14	67	36	42	24	SW 14	5.12 44 16.1
6 RS 12	6	12	3,8	17	68	37	43	25	SW 17	5.12 44 18.1
8 RS 10	8	10	5,2	17	70	36	44	24	SW 17	5.12 44 20.1
8 RS 12	8	12	5,2	17	71	37	45	25	SW 17	5.12 44 22.1
8 RS 14	8	14	5,2	19	73	39	47	27	SW 19	5.12 44 24.1
10 RS 10	10	10	6,6	19	75	35,5	44	24	SW 19	5.12 44 32.1
10 RS 12	10	12	6,6	19	77	37,5	46	25	SW 19	5.12 44 26.1
10 RS 14	10	14	6,6	19	79	38,5	48	27	SW 19	5.12 44 28.1
10 RS 15	10	15	6,6	19	77	37	45	25	SW 19	5.12 44 30.1
12 RS 15	12	15	9,4	24	83	37,5	47	25	SW 24	5.12 44 34.1
12 RS 16	12	16	9,4	24	87	42,5	52	30	SW 24	5.12 44 36.1
12 RS 18	12	18	9,4	24	83	37,5	47	25	SW 24	5.12 44 38.1
12 RS 20	12	20	9,4	24	89	44	54	32	SW 24	5.12 44 40.1

**Material:** steel, galvanized, chromated (other materials on request). All dimensions in mm.

## P-fitting with cutting ring screw connections 24° cone (CE-L), light series, following DIN 2353 without cutting ring and screw cap

Suitable for TECALAN-hose Type 250, AF...HH, AF...Cu, BF...Cu



code: P-fitting	DN	d	d1	d2	SW	L1	L2	L3	L4	L5	pusher	part-no.
4 CEL 6	4	6	12 x 1,5	2,0	17	47	22	28	10	7	SW 17	5.12 44 60.1
6 CEL 8	6	8	14 x 1,5	3,8	17	53	22	28	10	7	SW 17	5.12 44 62.1
8 CEL 10	8	10	16 x 1,5	5,2	19	57	23	31	11	7	SW 19	5.12 44 64.1
8 CEL 12	8	12	18 x 1,5	5,2	22	57	23	31	11	7	SW 22	5.12 44 66.1
10 CEL 12	10	12	18 x 1,5	6,6	22	63	23	31	11	7	SW 22	5.12 44 68.1
10 CEL 15	10	15	22 x 1,5	6,6	27	64	24	32	12	7	SW 27	5.12 44 70.1
12 CEL 15	12	15	22 x 1,5	9,4	27	70	24,3	33	12	7	SW 27	5.12 44 72.1

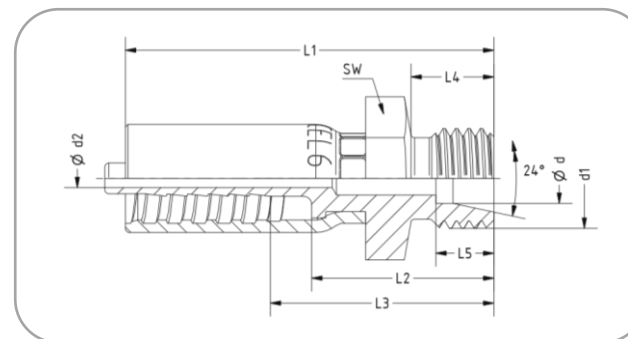
**Material:** steel, galvanized, chromated (other materials on request). All dimensions in mm.

Beethovenstr. 35D · 35410 Hungen / Hessen  
 Telefon: +49(0)6402/512150  
 Internet: www.tecalan.de

**TECALAN**

## P-fitting with cutting ring screw connection 24° cone (CE-S) heavy series, following DIN 2353 without cutting ring and screw cap

Suitable for TECALAN-hose Type 250, AF...HH, AF...Cu, BF...Cu



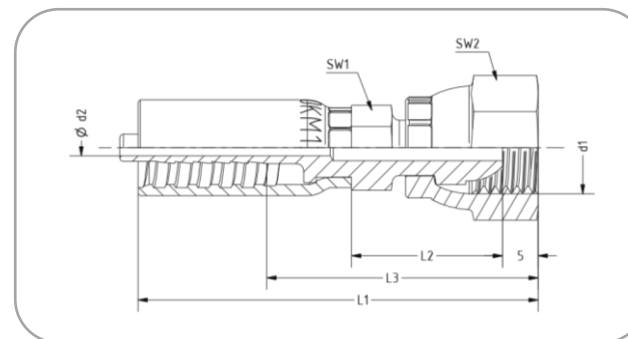
code: P-fitting	DN	d	d1	d2	SW	L1	L2	L3	L4	L5	pusher	part-no.
4 CES 6	4	6	14 x 1,5	2,0	17	49	24	30	12	7	SW 17	5.12 44 78.1
4 CES 8	4	8	16 x 1,5	2,0	19	49	24	30	12	7	SW 19	5.12 44 80.1
6 CES 10	6	10	18 x 1,5	3,8	22	55	24	30	12	7,5	SW 22	5.12 44 82.1
6 CES 12	6	12	20 x 1,5	3,8	24	55	24	30	12	7,5	SW 24	5.12 44 84.1
8 CES 12	8	12	20 x 1,5	5,2	24	58	24	32	12	7,5	SW 24	5.12 44 86.1
10 CES 14	10	14	22 x 1,5	6,6	27	66	27	34	14	8	SW 27	5.12 44 88.1
12 CES 16	12	16	24 x 1,5	9,4	27	71	26	35	14	9	SW 27	5.12 44 90.1

**Material:** steel, galvanized, chromated (other materials on request). All dimensions in mm.

## P-fitting with metric female swivel (DKM) – following DIN 3863

suitable for connector 60° e.g. double socket

Suitable for TECALAN-hose Type 250, AF...HH, AF...Cu, BF...Cu



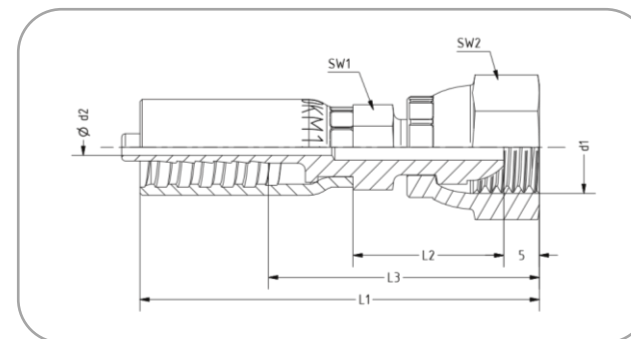
code: P-fitting	DN	d1	d2	SW1	SW2	L1	L2	L3	pusher	part-no.
4 DKM 12	4	M 12 x 1,5	2,0	10	17	55	27	36	SW 17 M	5.12 45 10.1
4 DKM 16	4	M 16 x 1,5	2,0	14	22	55	27	36	SW 22 M	5.12 45 08.1
6 DKM 14	6	M 14 x 1,5	3,8	14	19	61	27	36	SW 19 M	5.12 45 14.1
6 DKM 16	6	M 16 x 1,5	3,8	14	22	61	27	36	SW 22 M	5.12 45 46.1
8 DKM 16	8	M 16 x 1,5	5,2	17	22	64	27	38	SW 22 M	5.12 45 16.1
10 DKM 18	10	M 18 x 1,5	6,6	19	22	69	27	39	SW 22 M	5.12 45 18.1
12 DKM 22	12	M 22 x 1,5	9,4	24	27	75	27	39	SW 27 M	5.12 45 20.1

**Material:** steel, galvanized, chromated (other materials on request). All dimensions in mm.

Beethovenstr. 35D · 35410 Hungen / Hessen  
 Telefon: +49(0)6402/512150  
 Internet: www.tecalan.de

**TECALAN**

## Female swivel NPSM (DKN)



Suitable for TECALAN-hose Type 250, AF...HH, AF...Cu, BF...Cu

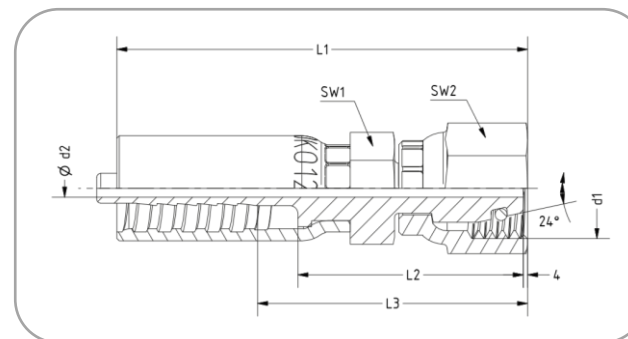
code: P-fitting	DN	d1	d2	SW1	SW2	L1	L2	L3	pusher	part-no.
6 DKN ¼"	6	¼" - 18	3,8	14	19	61	27	36	SW 17 M	5.12 45 42.1
8 DKN ¼"	8	¼" - 18	6,6	17	19	63	27	38	SW 22 M	5.12 45 44.1

**Material:** steel, galvanized, chromated (other materials on request). All dimensions in mm.

## P-fitting with metric female swivel with O-Ring (DKO) light series

fits with cutting ring screw connection following DIN 2353

Suitable for TECALAN-hose Type 250, AF...HH, AF...Cu, BF...Cu



code: P-fitting	DN	d1	d2	SW1	SW2	L1	L2	L3	pusher	part-no.
4 DKO 12 - 6 L	4	12 x 1,5	2,0	12	14	55	28	36	SW 14 M	5.12 45 52.1
6 DKO 14 - 8 L	6	14 x 1,5	3,8	14	17	61	28	36	SW 17 M	5.12 45 54.1
6 DKO 18 - 12 L	6	18 x 1,5	3,8	17	22	61	28	36	SW 22 M	5.12 45 24.1
8 DKO 14 - 8 L	8	14 x 1,5	5,2	17	17	62	28	38	SW 17 M	5.12 45 56.1
8 DKO 16 - 10 L	8	16 x 1,5	5,2	17	19	64	28	38	SW 19 M	5.12 45 48.1
8 DKO 18 - 12 L	8	18 x 1,5	5,2	17	22	64	28	38	SW 22 M	5.12 45 50.1
10 DKO 18 - 12 L	10	18 x 1,5	6,6	22	22	68	28	38	SW 22 M	5.12 45 66.1
10 DKO 22 - 15 L	10	22 x 1,5	6,6	22	27	68	28	38	SW 27 M	5.12 45 86.1
12 DKO 22 - 15 L	12	22 x 1,5	9,4	24	27	73	28	40	SW 27 M	5.12 45 88.1

**Material:** steel, galvanized, chromated (other materials on request). All dimensions in mm.

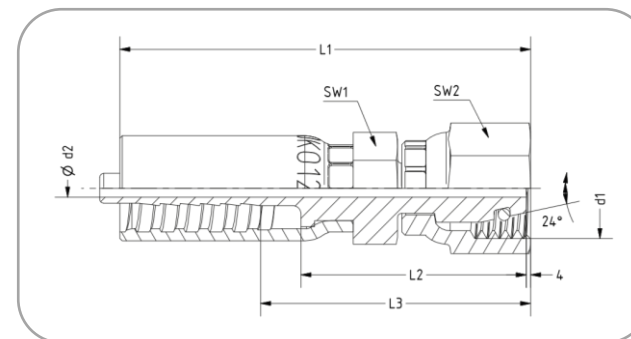
Beethovenstr. 35D · 35410 Hungen / Hessen  
 Telefon: +49(0)6402/512150  
 Internet: www.tecalan.de

**TECALAN**



## P-fitting with metric female swivel with O-Ring (DKO) heavy series fits with cutting ring screw connection following DIN 2353

Suitable for TECALAN-hose Type 250, AF...HH, AF...Cu, BF...Cu



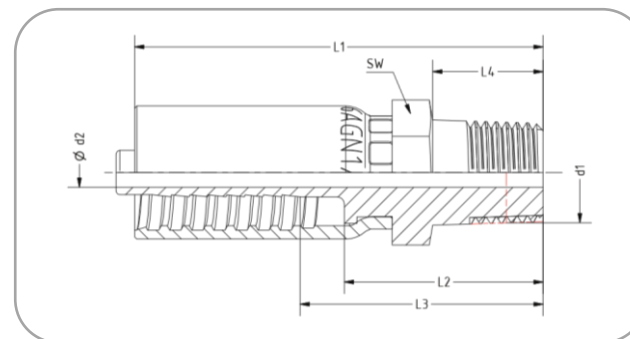
code: P-fitting	DN	d1	d2	SW1	SW2	L1	L2	L3	pusher	part-no.
4 DKO 14 - 6 S	4	14 x 1,5	2,0	14	17	55	28	36	SW 14 M	5.12 45 60.1
4 DKO 16 - 8 S	4	16 x 1,5	2,0	14	22	55	28	36	SW 19 M	5.12 45 26.1
6 DKO 16 - 8 S	6	16 x 1,5	3,8	17	22	61	28	36	SW 19 M	5.12 45 36.1
6 DKO 18 - 10 S	6	18 x 1,5	3,8	17	22	61	28	36	SW 22 M	5.12 45 28.1
8 DKO 18 - 10 S	8	18 x 1,5	5,2	19	22	64	28	38	SW 22 M	5.12 45 38.1
8 DKO 20 - 12 S	8	20 x 1,5	5,2	19	24	64	28	38	SW 24 M	5.12 45 30.1
10 DKO 20 - 12 S	10	20 x 1,5	6,6	19	24	68	28	38	SW 24 M	5.12 45 64.1
10 DKO 22 - 14 S	10	22 x 1,5	6,6	22	27	68	28	38	SW 27 M	5.12 45 32.1
12 DKO 24 - 16 S	12	24 x 1,5	9,4	24	30	73	28	40	SW 30 M	5.12 45 34.1

**Material:** steel, galvanized, chromated (other materials on request). All dimensions in mm.

Beethovenstr. 35D · 35410 Hungen / Hessen  
 Telefon: +49(0)6402/512150  
 Internet: www.tecalan.de

**TECALAN**

## P-fitting with NPT male screw socket (AGN)

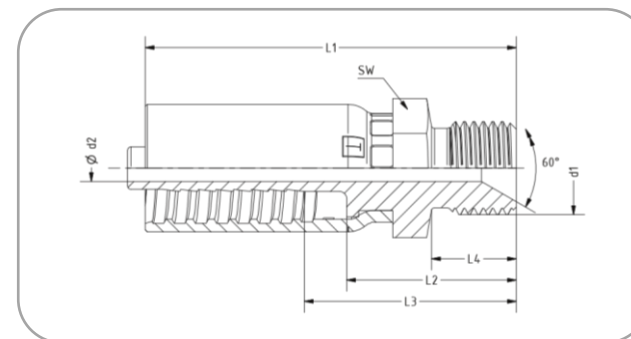


Suitable for TECALAN-hose Type 250, AF...HH, AF...Cu, BF...Cu

code: P-fitting	DN	d1	d2	SW1	L1	L2	L3	L4	pusher	part-no.
6 AGN 1/4"	6	NPT 1/4" - 18	3,8	17	58	27	33	15	SW 17	5.12 46 30.1
10 AGN 3/8"	10	NPT 3/8" - 18	6,6	22	67	27	35	15	SW 22	5.12 46 38.1
12 AGN 1/2"	12	NPT 1/2" - 14	9,4	24	76	31	40	19	SW 24	5.12 46 40.1

**Material:** steel, galvanized, chromated (other materials on request). All dimensions in mm.

## P-fitting with BSP male thread (AGR)

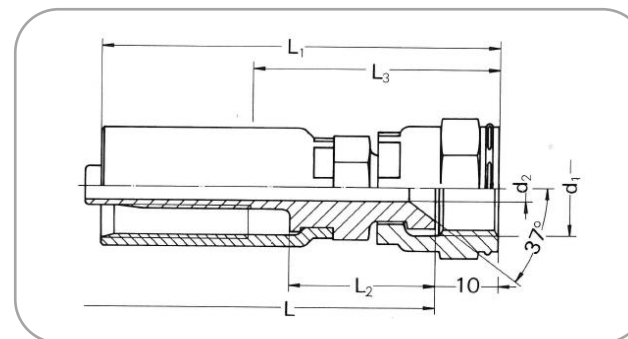


Suitable for TECALAN-hose Type 250, AF...HH, AF...Cu, BF...Cu

code: P-fitting	DN	d1	d2	SW1	L1	L2	L3	L4	pusher	part-no.
4 AGR 1/8"	4	R 1/8"	2,0	14	49	23,5	30	11,5	SW 14	5.12 46 60.1
6 AGR 1/4"	6	R 1/4"	3,8	17	55	24	30	12	SW 17	5.12 46 62.1
8 AGR 3/8"	8	R 3/8"	5,2	22	60	25,5	33	13,5	SW 22	5.12 46 64.1
10 AGR 3/8"	10	R 3/8"	6,6	22	65	25,5	33	13,5	SW 22	5.12 46 66.1
12 AGR 1/2"	12	R 1/2"	9,4	24	73	28	37	16	SW 24	5.12 46 68.1

**Material:** steel, galvanized, chromated (other materials on request). All dimensions in mm.

## P-fitting with JIC 37° female swivel (DKJ)

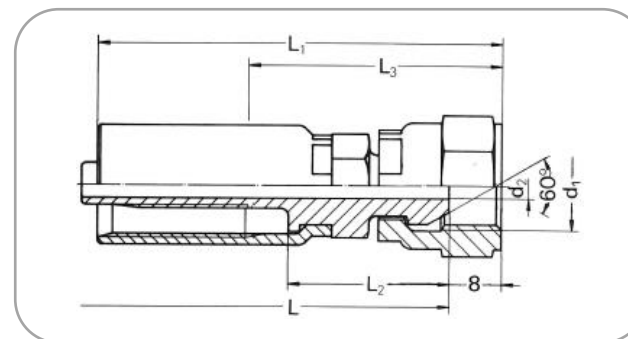


Suitable for TECALAN-hose Type AF, BF, 250, AF...HH, AF...Cu, BF...Cu

code: P-fitting	DN	d1	d2	SW1	SW2	L1	L2	L3	pusher	part no.
4 DKJ 7/16"	4	7/16" - 20	2	14	17	55	22	36	SW 17 M	5.12 45 68.1
6 DKJ 7/16"	6	7/16" - 20	3,8	14	17	61	22	36	SW 17 M	5.12 45 70.1
6 DKJ 1/2"	6	1/2" - 20	3,8	14	17	61	22	36	SW 17 M	5.12 45 72.1
6 DKJ 9/16"	6	9/16" - 18	3,8	14	19	61	22	36	SW 19 M	5.12 45 74.1
8 DKJ 1/2"	8	1/2" - 20	5,2	17	17	64	22	38	SW 17 M	5.12 45 78.1
8 DKJ 9/16"	8	9/16" - 18	5,2	17	19	64	22	38	SW 19 M	5.12 45 80.1
10 DKJ 9/16"	10	9/16" - 18	6,6	19	19	69	22	38	SW 19 M	5.12 45 84.1

**Material:** steel, galvanized, chromated (other materials on request). All dimensions in mm.

## P-fitting with BSP female swivel (DKR)



Suitable for TECALAN-hose Type AF, BF, 250, AF...HH, AF...Cu, BF...Cu

code: P-fitting	DN	d1	d2	SW1	SW2	L1	L2	L3	pusher	part-no.
4 DKR 1/8"	4	R 1/8"	2	10	17	54	24	36	SW 17 M	5.12 46 50.1
4 DKR 1/4"	4	R 1/4"	2	14	19	54	24	36	SW 19 M	5.12 46 48.1
6 DKR 1/4"	6	R 1/4"	3,8	14	19	60	24	36	SW 19 M	5.12 46 52.1
8 DKR 3/8"	8	R 3/8"	5,2	17	22	63	24	38	SW 22 M	5.12 46 54.1
10 DKR 3/8"	10	R 3/8"	6,6	19	22	69	24	38	SW 22 M	5.12 46 56.1
12 DKR 1/2"	12	R 1/2"	9,4	24	27	74	24	39	SW 27 M	5.12 46 58.1

**Material:** steel, galvanized, chromated (other materials on request). All dimensions in mm.

# Two Piece Fittings DN4

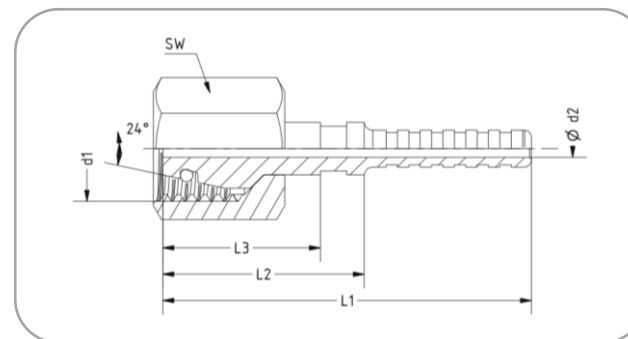
**TECALAN**

Beethovenstr. 35D · 35410 Hungen / Hessen  
Telefon: +49(0)6402/512150  
Internet: [www.tecalan.de](http://www.tecalan.de)

## Two-piece P-fitting with sealing cone and O-Ring (DKO-L and DKO-S) metric, following DIN 3865

screw cap light and heavy series

Suitable for DN4 TECALAN-hose Type BA04, AF4, AF4CU, GE4, 250DN4



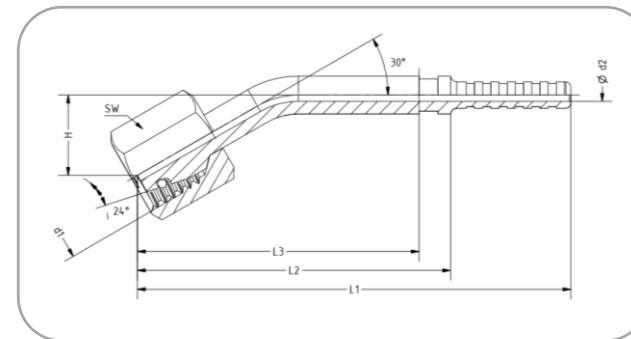
code: P-fitting	DN	d1	d2	SW	L1	L2	L3	Part-No.
4 DKO 12 - 6 L	4	M12x1,5	2	14	42	23	18	5.12 45 05.1
4 DKO 14 - 6 S	4	M14x1,5	2	17	42	23	18	5.12 45 02.1

**Material:** steel, galvanized, passivated (other materials on request). All dimensions in mm.

Beethovenstr. 35D · 35410 Hungen / Hessen  
Telefon: +49(0)6402/512150  
Internet: www.tecalan.de

**TECALAN**

**Two-piece P-fitting – 30°  
with sealing cone and O-Ring (DKO-L)  
metric, following DIN 3865**  
screw cap light series



For DN4 TECALAN-hose Type BA04, AF4, AF4CU, GE4, 250DN4

code: P-fitting	DN	d1	d2	SW	L1	L2	L3	Part-No.
4 DKO 12 - 6 L / 30°	4	M12x1,5	2	14	69	51	46,5	5.12 55 02.1

**Material:** steel, galvanized, passivated (other materials on request). All dimensions in mm.

Beethovenstr. 35D · 35410 Hungen / Hessen  
Telefon: +49(0)6402/512150  
Internet: www.tecalan.de

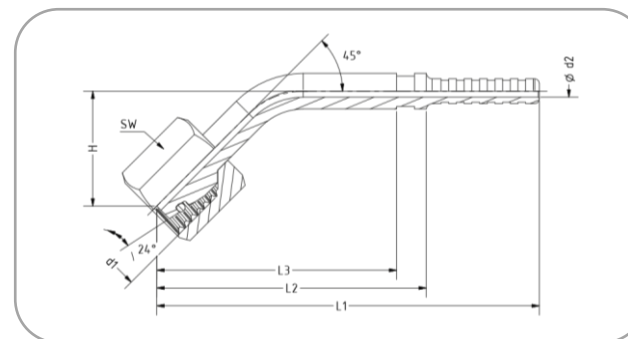
**TECALAN**



## Two-piece P-fitting – 45° with sealing cone and O-Ring (DKO-L and DKO-S) metric, following DIN 3865

screw cap light and heavy series

For DN4 TECALAN-hose Type BA04, AF4, AF4CU, GE4, 250DN4



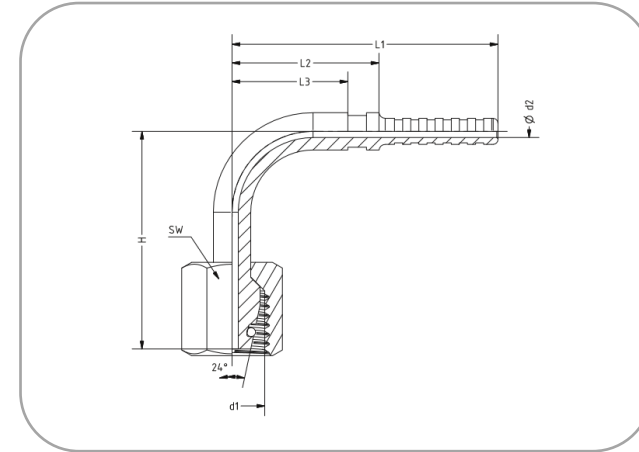
code: P-fitting	DN	d1	d2	SW	L1	L2	L3	Part-No.
4 DKO 12 - 6 L / 45°	4	M 12 x 1,5	2	14	66	49	44,8	5.12 55 04.1
4 DKO 14 - 6 S / 45°	4	M 14 x 1,5	2	17	66	49	44,8	5.12 55 06.1

**Material:** steel, galvanized, passivated (other materials on request). All dimensions in mm.

Beethovenstr. 35D · 35410 Hungen / Hessen  
Telefon: +49(0)6402/512150  
Internet: www.tecalan.de

# TECALAN

**Two-piece P-fitting – 90°  
with sealing cone and O-Ring  
(DKO-L and DKO-S)  
metric, following DIN 3865**  
screw cap light and heavy series

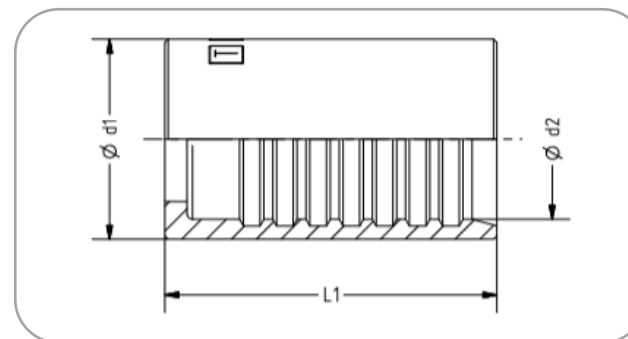


Suitable for DN4 TECALAN-hose Type BA04, AF4, AF4CU, GE4, 250DN4

code: P-fitting	DN	d1	d2	SW	L1	L2	L3	Part-No.
4 DKO 12 - 6 L / 90°	4	M 12 x 1,5	2	14	42	23	18,2	5.12 48 01.0
4 DKO 14 - 6 S / 90°	4	M 14 x 1,5	2	17	42	23	18,2	5.12 45 04.1

**Material:** steel, galvanized, passivated (other materials on request). All dimensions in mm.

## U-Ferrule for DN 4



Suitable for TECALAN-hose Type AF, BF, 250, BA, AS, AF...HH

code: P-Ferrule	DN	d1	d2	L1	Part-No.
U-Ferrule 4	4	11,5	8,4	23,0	5.12 46 02.2

**Material:** steel, galvanized, passivated (other materials on request). All dimensions in mm.

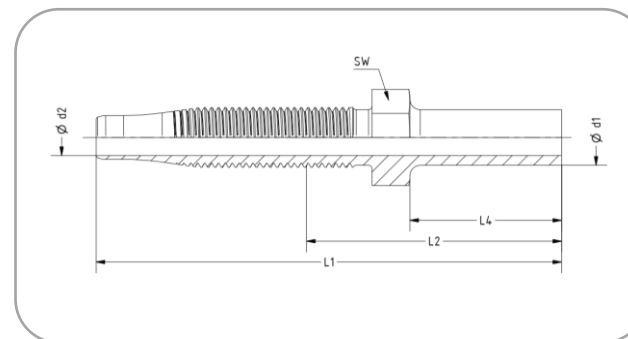
# Screw Fittings

**TECALAN**

Beethovenstr. 35D · 35410 Hungen / Hessen  
Telefon: +49(0)6402/512150  
Internet: [www.tecalan.de](http://www.tecalan.de)

## F-inset with socket (BE)

for cutting ring screw connections

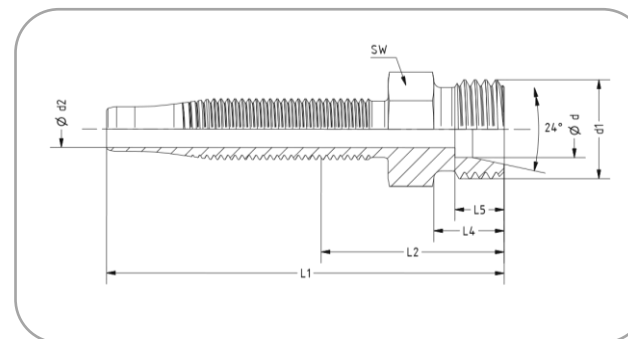


Suitable for TECALAN-hose Type AF, AF...Cu, BF, BF...Cu

code: F-inset	DN	d1	d2	SW	L1	L2	L4	part-no.
BE 6 L - 4 F	4	6	4	10	49,5	33	20	4.12 55 64.2
BE 8 L - 6,3 F	6	8	5,2	12	67,5	37	22	4.12 63 24.1
BE 10 L - 8 F	8	10	6,8	12	72	43	24	4.12 63 26.1
BE 12 L - 10 F	10	12	8,8	14	79,5	44	25	4.12 63 28.1
BE 15 L - 10 F	10	15	8,8	17	79,5	44	25	4.12 63 31.1
BE 15 L - 13 F	12	15	11,7	17	86	48	25	4.12 63 32.1
BE 18 L - 13 F	12	18	11,7	19	86	48	25	4.12 63 94.1
BE 22 L - 19 F	20	22	17	27	96	54	25	4.12 63 61.1
BE 8 S - 4 F	4	8	4	10	51,5	35	22	4.12 63 37.1
BE 10 S - 6,3 F	6	10	5,2	12	69,5	39	24	4.12 63 39.1
BE 12 S - 6,3 F	6	12	5,2	14	69,5	39	24	4.12 63 41.1
BE 12 S - 8 F	8	12	6,8	14	72	43	24	4.12 63 42.1
BE 25 S - 19 F	20	25	17	27	105	63	34	4.12 63 64.1

**Material:** steel, galvanized, passivated. All dimensions in mm.

## F-insert with cutting ring screw connection (CE), following DIN 2353 without cutting ring and screw cap



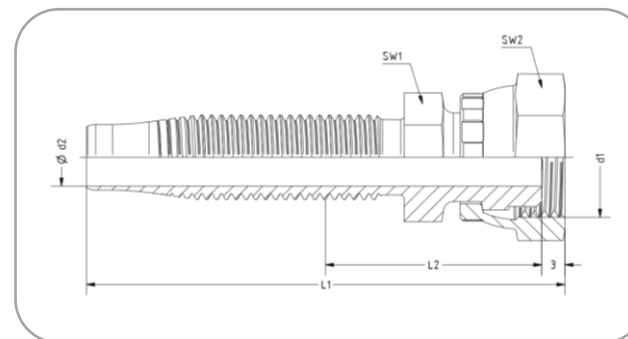
Suitable for TECALAN-hose Type AF, AF...Cu, BF, BF...Cu

code: F-insert	DN	d	d1	d2	SW	L1	L2	L4	part-no.
CE 6 L - 4 F	4	6	M 12 x 1,5	4	12	39,5	22	10	4.12 55 74.2
CE 8 L - 6,3 F	6	8	M 14 x 1,5	5,2	14	56,5	25	10	4.12 64 24.1
CE 10 L - 8 F	8	10	M 16 x 1,5	6,8	17	59	27	11	4.12 64 26.1
CE 12 L - 8 F	8	12	M 18 x 1,5	6,8	19	59	27	11	4.12 64 27.1
CE 12 L - 10 F	10	12	M 18 x 1,5	8,8	19	65,5	30	11	4.12 64 28.1
CE 22 L - 19 F	20	22	M 30 x 2	17	30	85	39	14	4.12 64 61.1
CE 6 S - 4 F	4	6	M 14 x 1,5	4	14	42	25	12	4.12 65 74.2
CE 10 S - 6,3 F	6	10	M 18 x 1,5	5,2	19	59,5	28	12	4.12 64 39.1
CE 12 S - 8 F	8	12	M 20 x 1,5	6,8	22	60	28	12	4.12 64 42.1

**Material:** steel, galvanized, passivated. All dimensions in mm.

## F-insert with metric female swivel(D/DR) following DIN 3863 suitable for connector 60°, e.g. double socket (DO) following DIN 7631

Suitable for TECALAN-hose Type AF, AF...Cu, BF, BF...Cu



code: F-insert	DN	d1	d2	SW1	SW2	L1	L2	part-no.
D 12 X 1,5 - 4 F	4	M 12 x 1,5	4	10	17	42,5	25	4.12 60 40.3
D 14 X 1,5 - 6,3 F	6	M 14 x 1,5	5,2	12	17	58,5	27	4.12 66 18.1
D 16 X 1,5 - 6,3 F	6	M 16 x 1,5	5,2	14	19	59,5	27	4.12 66 20.1
D 16 X 1,5 - 8 F	8	M 16 x 1,5	6,8	14	19	61	29	4.12 60 75.1
D 18 X 1,5 - 8 F	8	M 18 x 1,5	6,8	17	22	63	31	4.12 60 77.1
D 18 X 1,5 - 10 F	10	M 18 x 1,5	8,8	17	22	69,5	33	4.12 60 85.1
DR 1/4" - 4 F	4	R 1/4"	4	12	17	42,5	25	4.12 60 46.1
DR 1/4" - 6,3 F	6	R 1/4"	5,2	12	17	58,5	27	4.12 67 40.1
DR 1/4" NPSM - 4 F	4	1/4"-18 NPSM	4	12	17	42,5	25	4.12 60 44.3
DR 1/4" NPSM - 6,3 F	6	1/4"-18 NPSM	5,2	12	17	58,5	27	4.12 67 41.1
DR 3/8" - 10 F	10	R 3/8"	8,8	17	22	69,5	33	4.12 67 50.1

**Material:** steel, galvanized, passivated (other materials on request). All dimensions in mm.

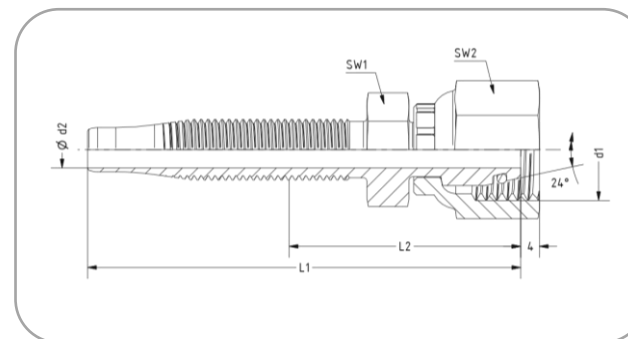
\*Consider (L2) for determination of total hose length

Beethovenstr. 35D · 35410 Hungen / Hessen  
 Telefon: +49(0)6402/512150  
 Internet: www.tecalan.de

**TECALAN**

## F-insert with female swivel, metric, with O-Ring (DKO)

Suitable for TECALAN-hose Type AF, AF...Cu, BF, BF...Cu



code: F-insert	DN	d1	d2	SW1	SW2	L1	L2	part-no.
DKO 12 X 1,5 - 4 F	4	M 12 x 1,5	4	10	14	46	24	4.12 60 39.1
DKO 14 X 1,5 - 6,3 F	6	M 14 x 1,5	5,2	14	17	62	25	4.12 60 43.1
DKO 16 X 1,5 - 8 F	8	M 16 x 1,5	6,8	17	19	64	25	4.12 60 50.1
DKO 18 X 1,5 - 10 F	10	M 18 x 1,5	8,8	19	22	70	25	4.12 60 58.1
DKO 22 X 1,5 - 13 F	12	M 22 x 1,5	11,7	22	27	77	25	4.12 60 92.1

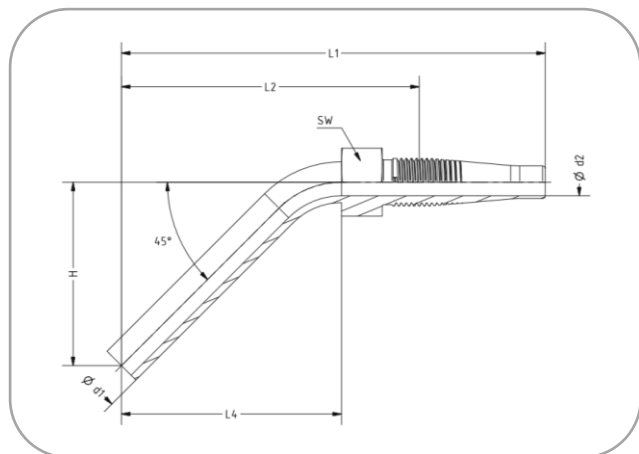
**Material:** steel, galvanized, passivated (other materials on request). All dimensions in mm.

Beethovenstr. 35D · 35410 Hungen / Hessen  
 Telefon: +49(0)6402/512150  
 Internet: www.tecalan.de

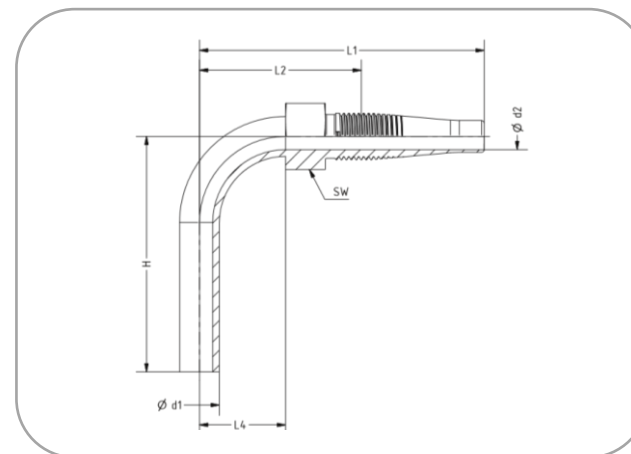
**TECALAN**



## F-insert with socket (BE) 45°- and 90° version for cutting ring screw connections



F-Dorn BE 6 L-4 / 45° Art.-Nr. 5.12 55 65.1



F-Dorn BE 6 L-4 / 90° Art.-Nr. 5.12 55 66.1

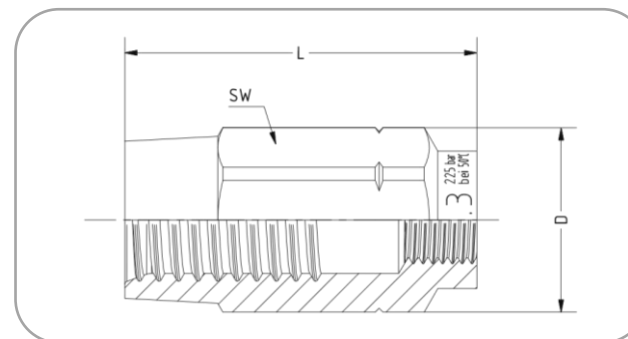
Suitable for TECALAN-hose Type AF, AF...Cu, BF, BF...Cu

code: F-insert	DN	d1	d2	SW	L1	part-no.
BE 6 L - 4 / 45°	4	6,0	4,0	10	45,0	5.12 55 65.1
BE 6 L - 4 / 90°	4	6,0	4,0	10	64,0	5.12 55 66.1

**Material:** steel, galvanized, passivated (other materials on request). All dimensions in mm.

## Screw ferrule (HAF/HBF) for F-inserts

Suitable for TECALAN-hose Type AF, AF...Cu, BF, BF...Cu



code: screw ferrule	D	L	SW	max. WP at 50°C [bar]	part-no.
HAF 4	13,3	25	12	325	4.12 50 04.3
HAF 6,3	18,8	36	17	225	4.12 61 74.1
HAF 8	20,9	38	19	200	4.12 61 75.1
HAF 10	24	44,5	22	170	4.12 61 76.1
HAF 13	30,2	51	27	140	4.12 61 77.1
HBF 4	13,3	25	12	425	4.12 50 14.3
HBF 6,3	18,8	36	17	400	4.12 61 84.1
HBF 8	20,9	38	19	330	4.12 61 85.1
HBF 10	24	44,5	22	300	4.12 61 86.1
HBF 13	30,2	51	27	245	4.12 61 87.1
HBF 19	39,5	57	30	190	4.12 61 89.1

**Material:** steel, galvanized, passivated. All dimensions in mm.

Beethovenstr. 35D · 35410 Hungen / Hessen  
Telefon: +49(0)6402/512150  
Internet: www.tecalan.de

**TECALAN**

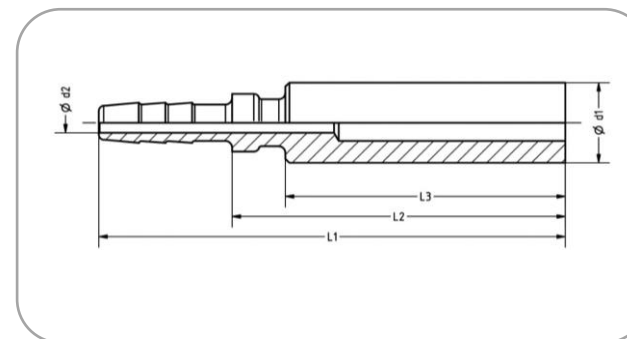
# Mini-Hydraulic Fittings

**TECALAN**

Beethovenstr. 35D · 35410 Hungen / Hessen  
Telefon: +49(0)6402/512150  
Internet: [www.tecalan.de](http://www.tecalan.de)

## BE-tube socket for TECALAN-hose

for convertible top and boat hydraulics



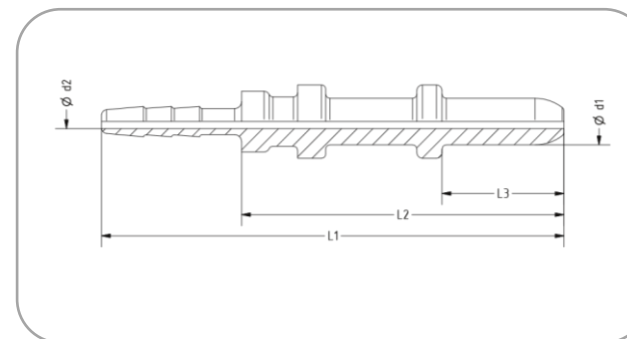
Suitable for TECALAN-hose Type AF 1,8 and 2,5

code: BE-tube socket	DN	d1	d2	L1	L2	L3	part-No.
1,8 BE 4 - L	1,8	4	1	30	20	14	4.12 55 71.1
1,8 BE 4 - LL	1,8	4	1	50	40	34	4.12 55 71.8
1,8 BE 6 - L	1,8	6	1	35	25	20	4.12 55 62.1
2,5 BE 4 - L	2,5	4	1,5	35	25	20	4.12 52 14.1
2,5 BE 6 - L	2,5	6	1,5	35	25	20	4.12 52 15.1

**Material:** steel, galvanized, passivated (other materials on request). All dimensions in mm.

## Plug-in connector short version for TECALAN-hose

for convertible top and boat hydraulics



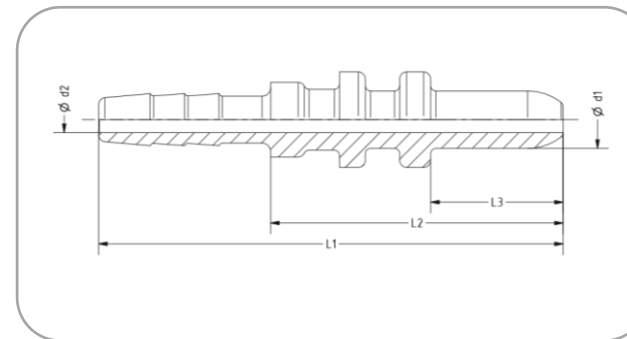
Suitable for TECALAN-hose Type AF 1,8

Code: plug-in connector	DN	d1	d2	L1	L2	L3	Part-No.
1,8 ST 3,3	1,8	3,3	1	33	23	8,7	4.12 52 24.1

**Material:** steel, galvanized, passivated (other materials on request). All dimensions in mm.

## Plug-in connector short version for TECALAN-hose

for convertible top and boat hydraulics

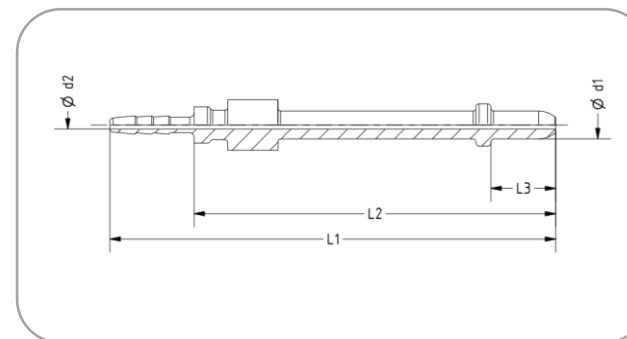


Suitable for TECALAN-hose Type 2,5

Code: plug-in connector	DN	d1	d2	L1	L2	L3	Part No.
2,5 ST 3,3	2,5	3,3	1,5	27	17	7,7	4.12 52 13.1

**Material:** steel, galvanized, passivated (other materials on request). All dimensions in mm.

## Plug-in connector long version for TECALAN-hose for convertible top and boat hydraulics



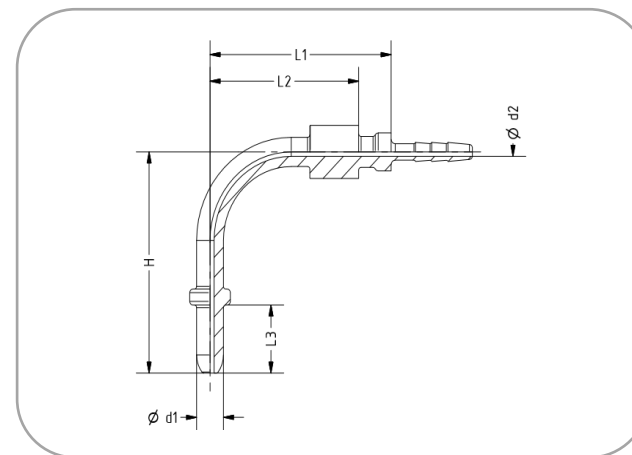
Suitable for TECALAN-hose Type AF 1,8 and 2,5

Code: plug-in connector	DN	d1	d2	L1	L2	L3	Part-No.
1,8 ST 3,3L	1,8	3,3	1	53	39,1	7,5	4.12 30 08.1
2,5 ST 3,3L	2,5	3,3	1,5	53	39,1	7,5	4.12 30 10.1

**Material:** steel, galvanized, passivated (other materials on request). All dimensions in mm.

## Plug-in connector 90°- version for TECALAN-hose

for convertible top and boat hydraulics



Suitable for TECALAN-hose Type AF 1,8 and 2,5

Code: plug-in connector	DN	d1	d2	L1	L2	H	L3	Part-No.
1,8 ST 3,3L / 90°	1,8	3,3	1	22	17,7	25,5	7,5	5.12 30 09.1
2,5 ST 3,3L / 90°	2,5	3,3	1,5	22	17,7	25,5	7,5	5.12 30 11.1

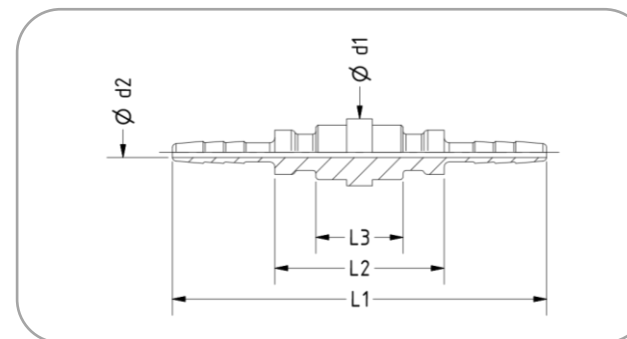
**Material:** steel, galvanized, passivated (other materials on request). All dimensions in mm.

Beethovenstr. 35D · 35410 Hungen / Hessen  
Telefon: +49(0)6402/512150  
Internet: www.tecalan.de

**TECALAN**



## Connector for TECALAN-hose for convertible top and boat hydraulics



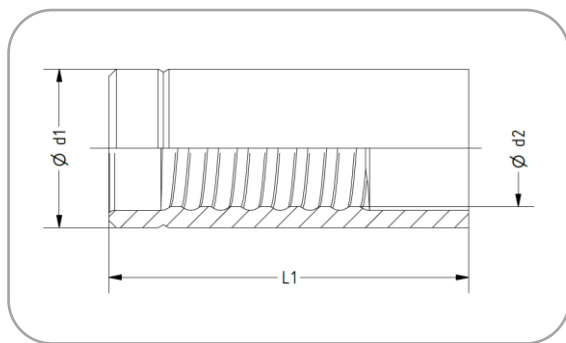
Suitable for TECALAN-hose Type AF 1,8 and 2,5

Code: connector	DN	d1	d2	L1	L2	L3	Part-No.
1,8 ST-Connector	1,8	6,5	1	36,5	16,5	8,5	4.12 30 02.1
2,5 ST-Connector	2,5	6,5	1,5	36,5	16,5	8,5	4.12 30 04.1

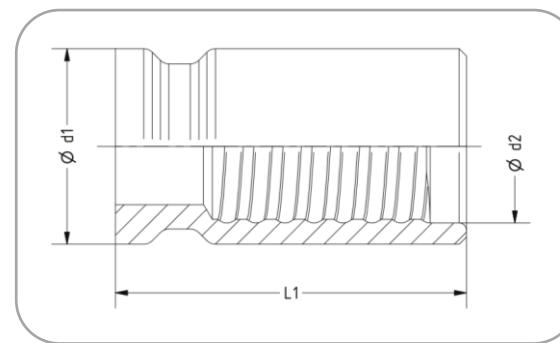
**Material:** steel, galvanized, passivated (other materials on request). All dimensions in mm.

## Ferrule for TECALAN-hose

for convertible top and boat hydraulics



HAF 1,8 Art.-Nr. 4.12 52 12.1



HAF 2,5 Art.-Nr. 4.12 50 12.1

Suitable for TECALAN-hose Type AF 1,8 and 2,5

Code: ferrule	DN	d1	d2	L1	Part-No.
HAF 1,8	1,8	6,4	4,7	14,5	4.12 52 12.1
HAF 2,5	2,5	8,05	6,3	14,5	4.12 50 12.1

**Material:** steel, galvanized, passivated (other materials on request). All dimensions in mm.

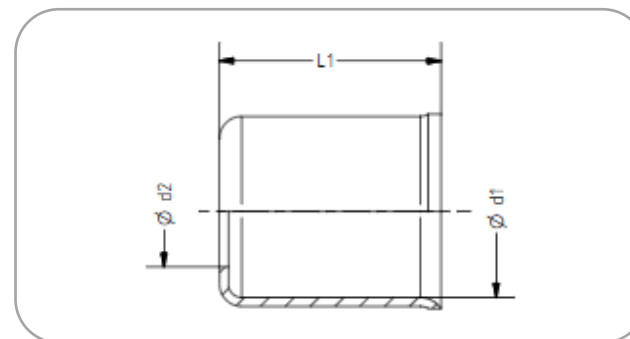
# Ferrules

**TECALAN**

---

Beethovenstr. 35D · 35410 Hungen / Hessen  
Telefon: +49(0)6402/512150  
Internet: [www.tecalan.de](http://www.tecalan.de)

## Clamping ferrule >HE< for TECALAN-hoses



code: clamping ferrule	DN	d1	d2	L1	Suitable for TECALAN- hose-Type	part-no.
HE 4	4	9	6,2	17	GE 4	4.37 07 09.7
HE 6	6	12	7,8	20	AF GE 6,3	4.37 07 12.7
HE 8	8	15,5	10	20	AF GE 8	4.37 07 14.7
HE 10	10	17,5	12	21	AF GE 10	4.37 07 18.7
HE 13	12	23	17	32	AF GE 13	4.37 07 21.7

**Material:** steel, zinc, plated.

Beethovenstr. 35D · 35410 Hungen / Hessen  
 Telefon: +49(0)6402/512150  
 Internet: www.tecalan.de

**TECALAN**